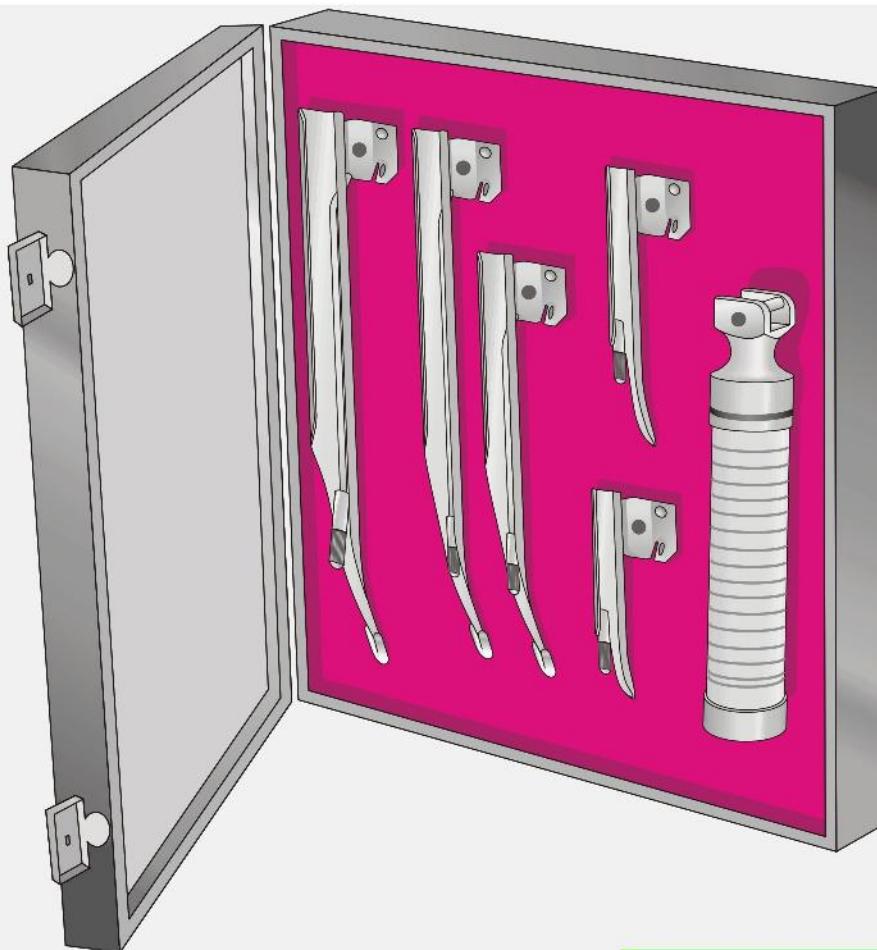




INTERNATIONAL

LET'S SHARE ABOUT SURGERY



***Diagnostic &
Anaesthesia
Instruments***

**Surgical
Instruments
Catalogue**



www.ssqintl.com

Company Profile

SSQ INTERNATIONAL offer a full range of Surgical Instruments specially tailored to the our valued client & rsquo;s innovative thinking, professional approach and years of experience has need of enabled us to put all the sectors of production together like a jigsaw.

For more than three decades, highly skilled and experienced craftsmen engaged to produce and serve quality Surgical,Dental and Beauty Instruments at competitive prices have acquired good reputation across the world enrolling DIg names of the field as their satisfied associates.Focusing on ultimate leadership and serving humanity. We will create a new concept of market leadership. We are serving humanity with high quality, safe and durable products.

We will enhance this vision by giving exceptional after sales services and support to our clients.We will serve the mankind aiming to upgrade health care services and providing patients and doctors with latest and highest medical services quality.

Factory Unit:

Our factory unit is located in Sialkot which provides easy access to our valuable overseas customers. We are Direct Manufacturer with all the Hi-Tec Manufacturing facilities under one roof which means our products consistently produced to the highest Quality Standards according to customers requirements. We always welcome you to visit our factory.

Product Customisation:

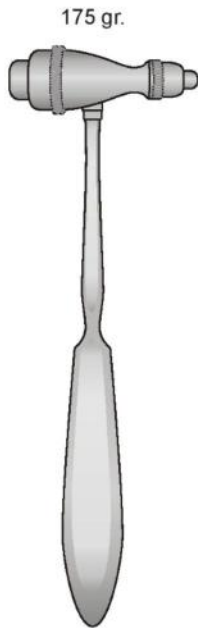
As a direct Manufacturer, we offer a full customisation services to enable you to add any item, your Sponsor Logo/design, Company Logo to your Surgical,Dental and Beauty Instruments and its accessories. We are equipped with latest technology which enables us to Imprint your Logos and design on any place of your Instruments according to your demand.

Customer Care:

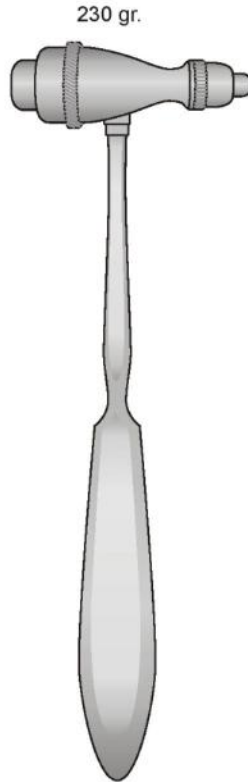
Being our customer, you can always be ahead of competition. We reach thousand of our satisfies customers globally to explore our business and discuss their demands. We feel pleasure to meet with our customers worldwide and discuss their demands . We always update our customers from their enquiry to delivery of goods.



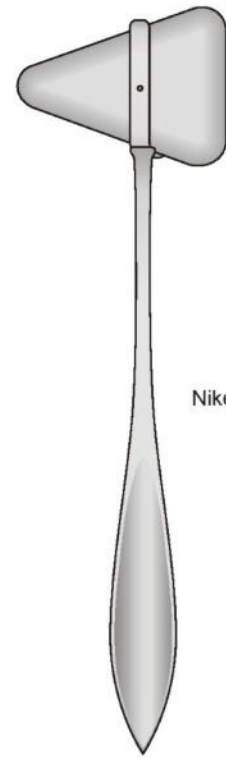
We continually strive to improve our products, therefore changes may result. All specificatons and measurements in this catalogue may vary within accepted industry standards or change without notice.



TROEMNER
SSQ-12001
140 mm



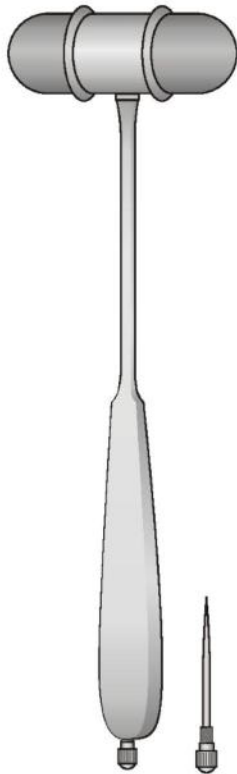
TROEMNER
SSQ-12002
240 mm



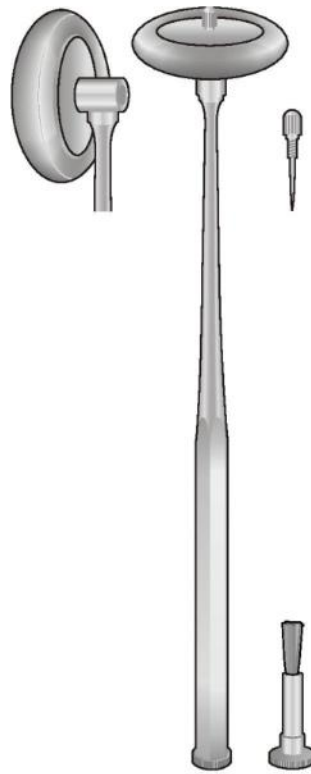
TAYLOR
SSQ-12003
200mm

Nikel-Chrom

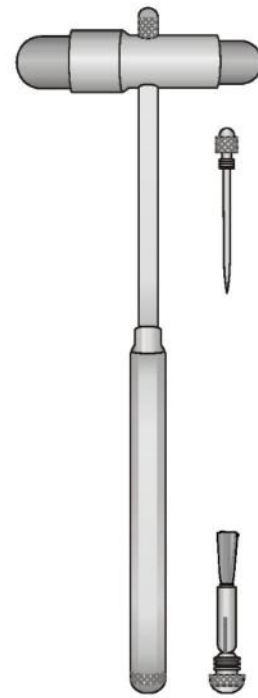
Con ago - With pin
Mit nadel - Avec aiguille
Con aguja



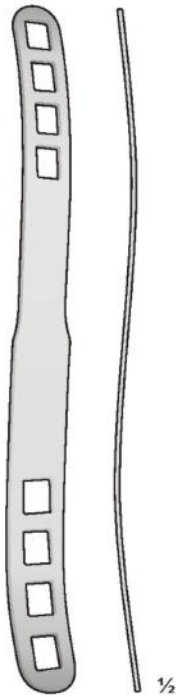
DEJERINE
SSQ-12004
200mm



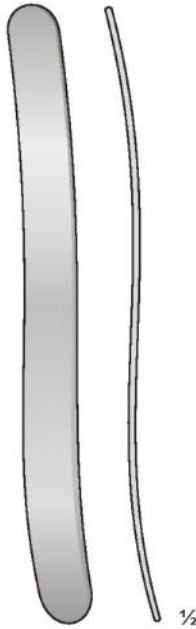
BABINSKY
SSQ-12005
255mm



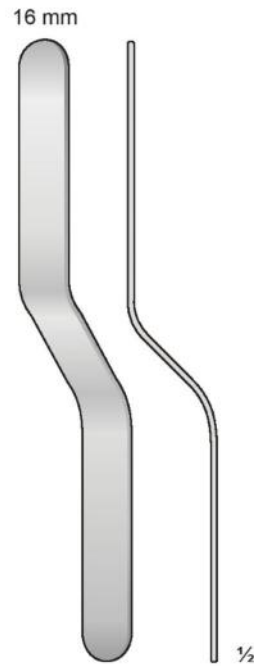
BUCK
SSQ-12006
180mm



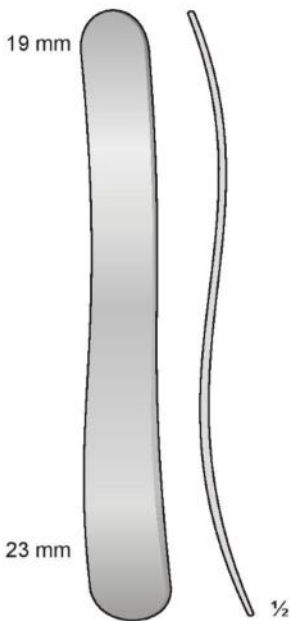
BRUENINGS
SSQ-12007
190 mm



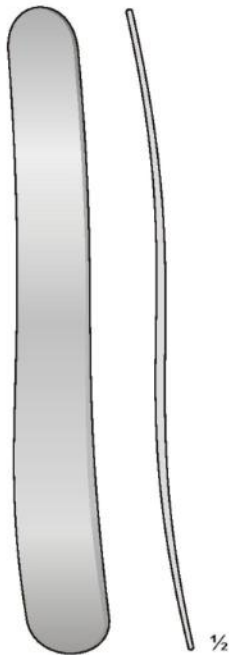
SSQ-12008
145 mm



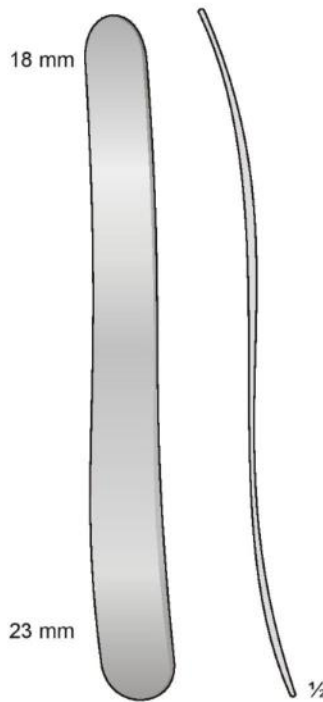
SSQ-12009
45 mm



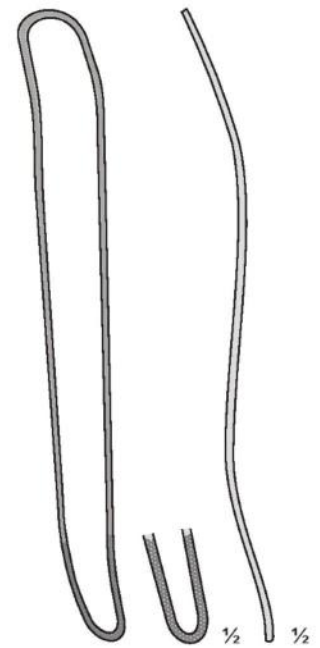
KROENIG
SSQ-12010
150 mm



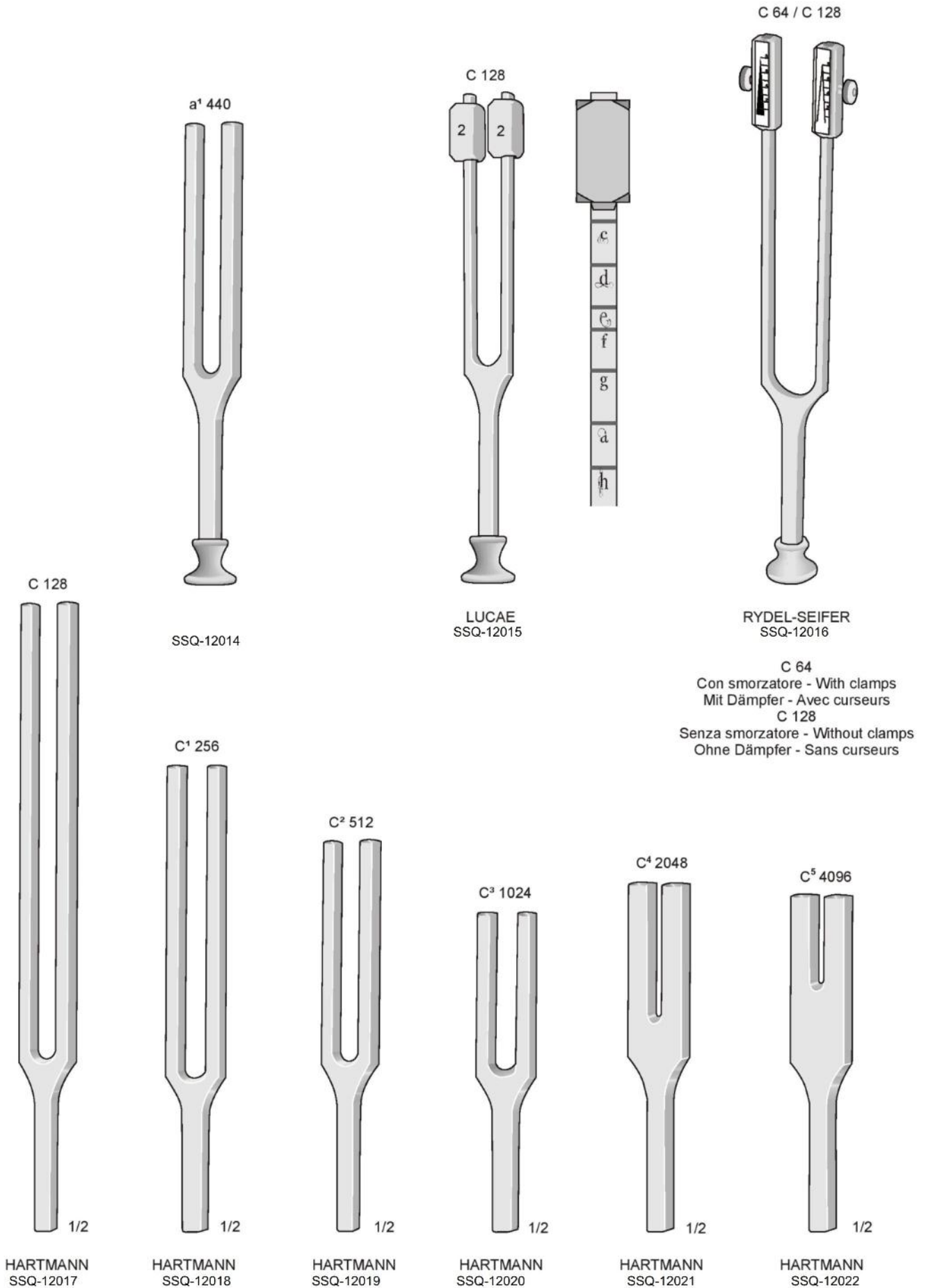
MAYO
SSQ-12011
170 mm

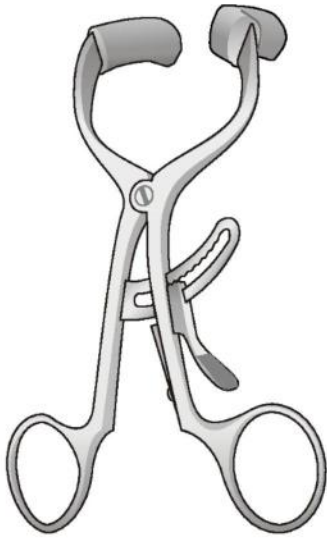


BUCHWALD
SSQ-12012
180 mm

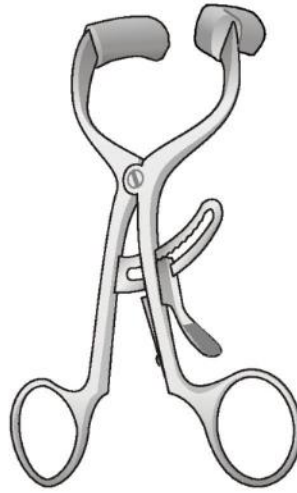


FRENZEL
SSQ-12013
165 mm

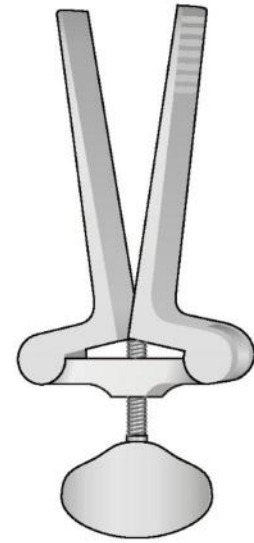




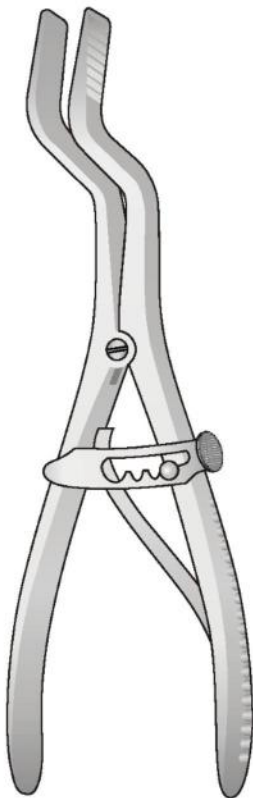
DOYEN-JANSEN
SSQ-12023
140 mm



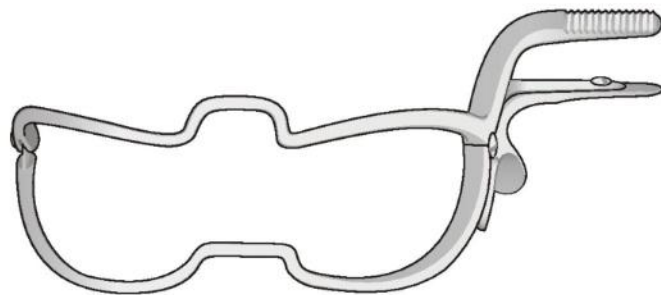
DOYEN-COLLIN
SSQ-12024
120 mm



HEISTER
SSQ-12025
135 mm



ROSER-KÖNIG
SSQ-12026
185 mm

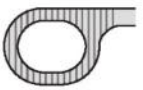


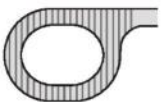
WHITEHEAD-JENNINGS
SSQ-12027 90 mm
SSQ-12027-1 110 mm
SSQ-12027-2 130 mm
SSQ-12027-3 150 mm

Anestesia - Anesthesia
Anaesthesie - Anesthésie - Anestesia

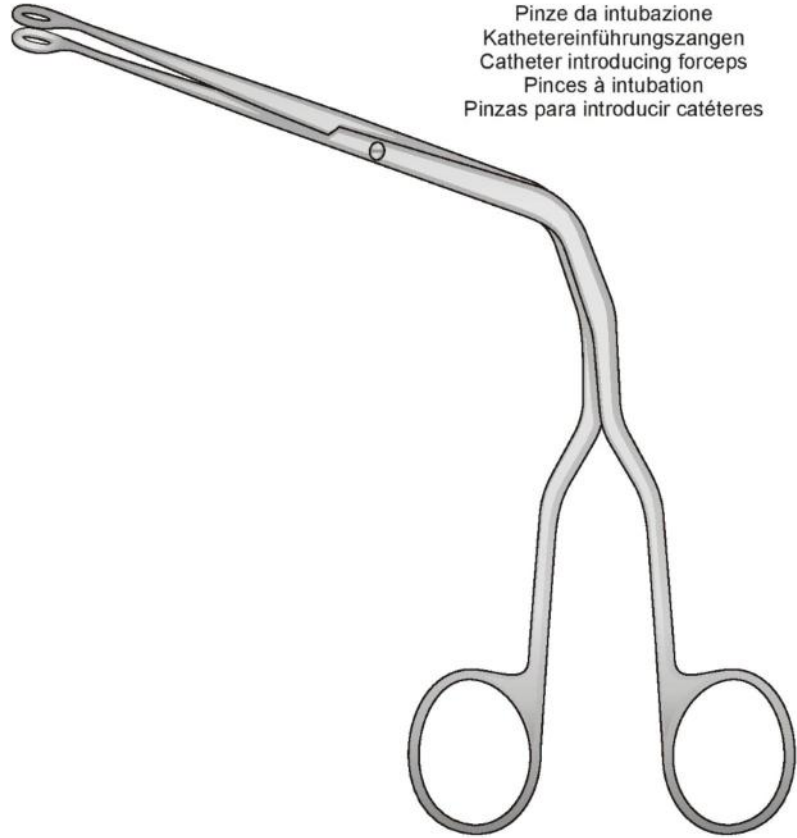
 1/1
SSQ-12028-1
150 mm

 1/1
SSQ-12028-2
200 mm

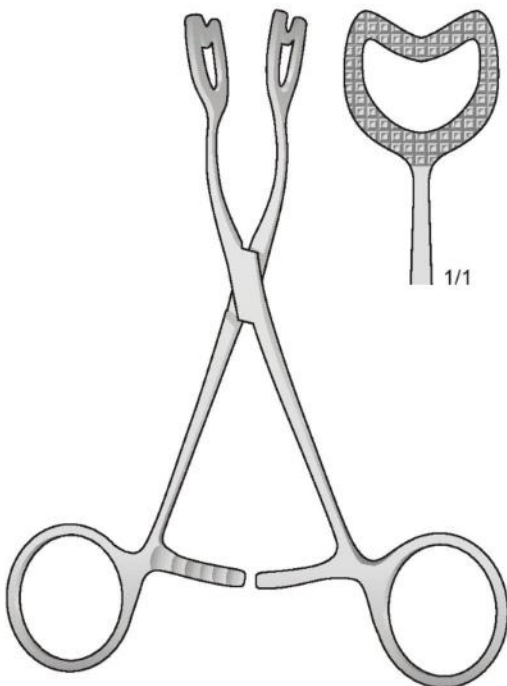
 1/1
SSQ-12028-3
250 mm

 1/1
SSQ-12028-4
250 mm

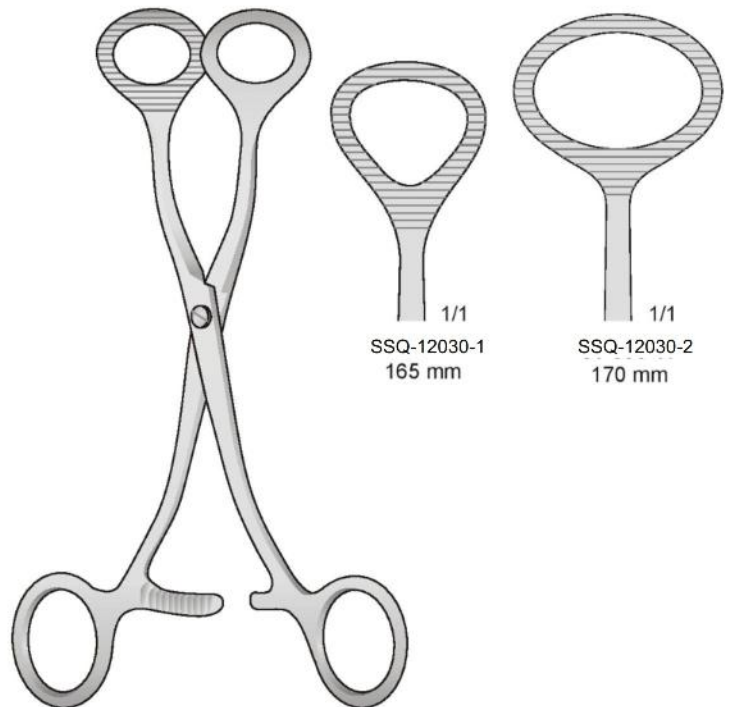
Pinze da intubazione
Kathetereinführungszangen
Catheter introducing forceps
Pinces à intubation
Pinzas para introducir catéteres




MAGILL
SSQ-12028

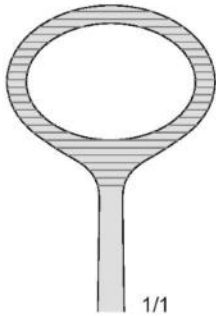


SSQ-12029
140 mm

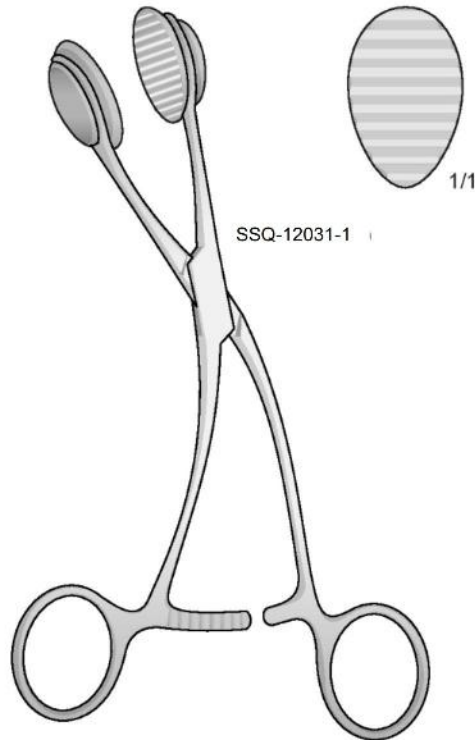


COLLIN
SSQ-12030

 1/1
SSQ-12030-1
165 mm

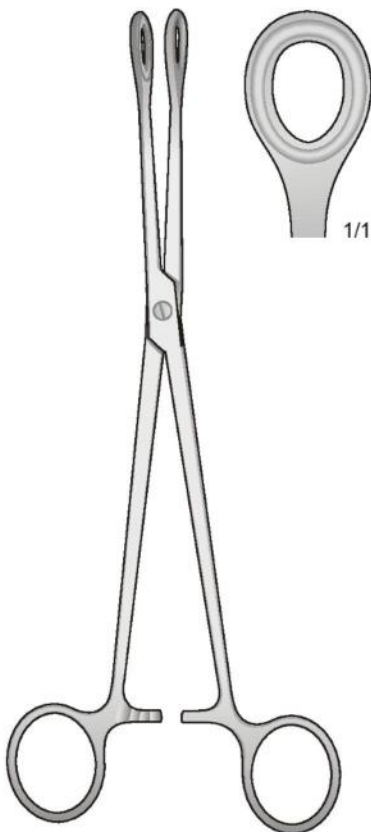
 1/1
SSQ-12030-2
170 mm

Gommini di ricambio 2 pezzi
1 Pair of rubber pads
1 Paar ersatzgummi
1 Paire de mors caoutchouc
1 Paar placas de caucho



SSQ-12031-1

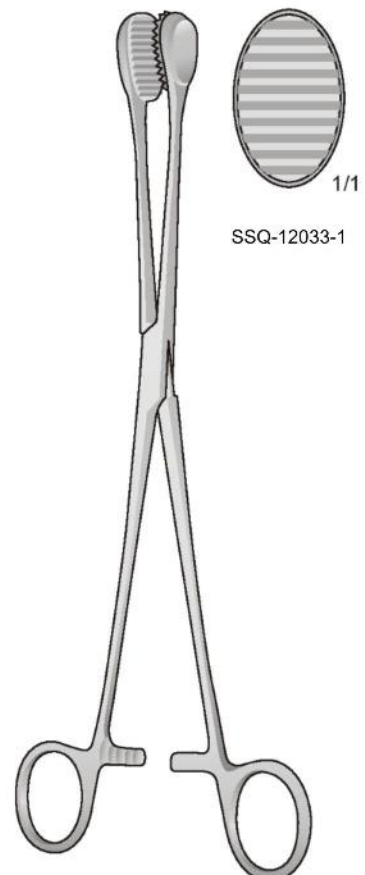
Pinza per batuffoli e tamponi
Cotton swab-Sponge holding forceps
Tupfer-Schwammzangen
Pinces à tampons et è ponges
Pinzas para tampones porta esponjas



SSQ-12032
230 mm

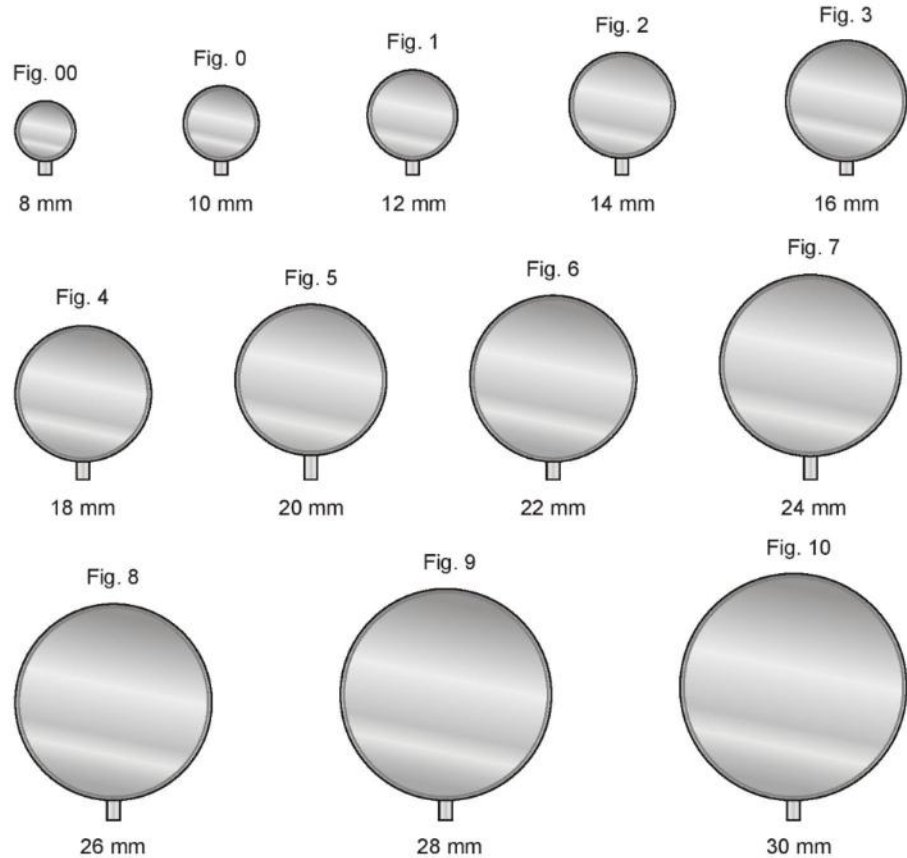
YOUNG
SSQ-12031
160 mm

Gommini di ricambio 2 pezzi
1 Pair of rubber pads
1 Paar ersatzgummi
1 Paire de mors caoutchouc
1 Paar placas de caucho



SSQ-12033-1

CHILD
SSQ-12033
240 mm



Specchietto laringeo
con manico esagonale
Laryngeal mirrors
with hexagonal handle
Miroirs laryngiens
avec manche hexagonal

Inox

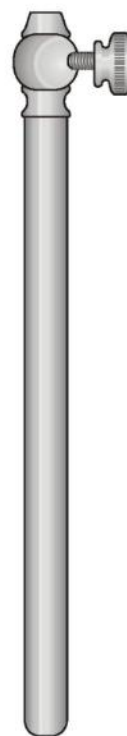


SSQ-12034
180 mm

Diametro dello specchio - Diameter of mirrors - Spiegeldurchmesser
Diámetro des miroirs - Diámetro de los espejos

Manico per specchietti
Mirrors handle
Spiegelgriff
Manche à miroir
Manico para espejos

Nikel-Chrom



SSQ-12035
120 mm

Specchietto laringeo
Laryngeal mirrors
Kehlkopfspiegel
Miroirs laryngiens
Espejos laringeos

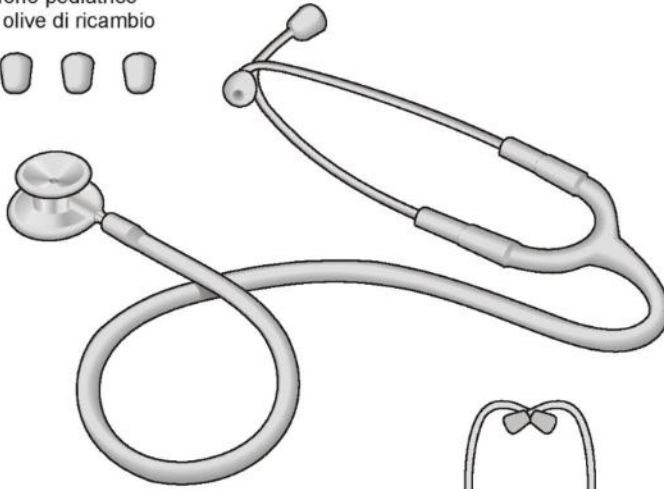


SSQ-12036
120 mm

| | Fig. |
|-----------|------|
| 01-370-08 | 00 |
| 01-370-10 | 0 |
| 01-370-12 | 1 |
| 01-370-14 | 2 |
| 01-370-16 | 3 |
| 01-370-18 | 4 |
| 01-370-20 | 5 |
| 01-370-22 | 6 |
| 01-370-24 | 7 |
| 01-370-26 | 8 |
| 01-370-28 | 9 |
| 01-370-30 | 10 |

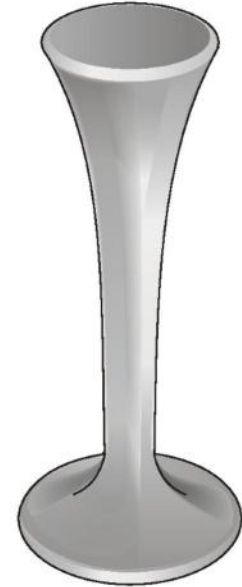
| | Fig. |
|-----------|------|
| 01-390-08 | 00 |
| 01-390-10 | 0 |
| 01-390-12 | 1 |
| 01-390-14 | 2 |
| 01-390-16 | 3 |
| 01-390-18 | 4 |
| 01-390-20 | 5 |
| 01-390-22 | 6 |

Duofono pediatrico
Con 4 olive di ricambio



SSQ-12037

In legno
Of wood
Aus Holz
En bois
De madera



SSQ-12038
145 mm

Professional
Con 4 olive di ricambio

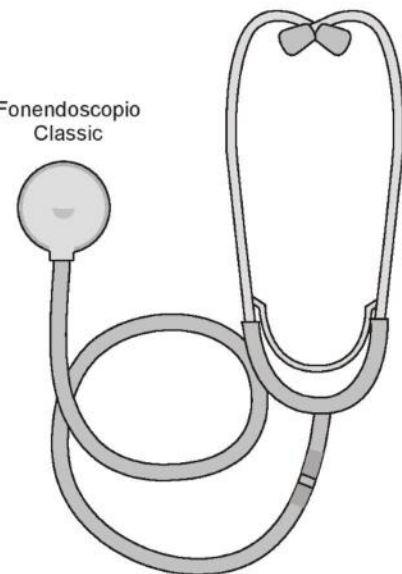


SSQ-12040

LEVIS - CLASSIC
SSQ-12039



Fonendoscopio
Classic



SSQ-12041

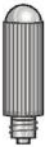
Laringoscopio
MC INTOSH



AA-B100

2,5 Volt
300 mA

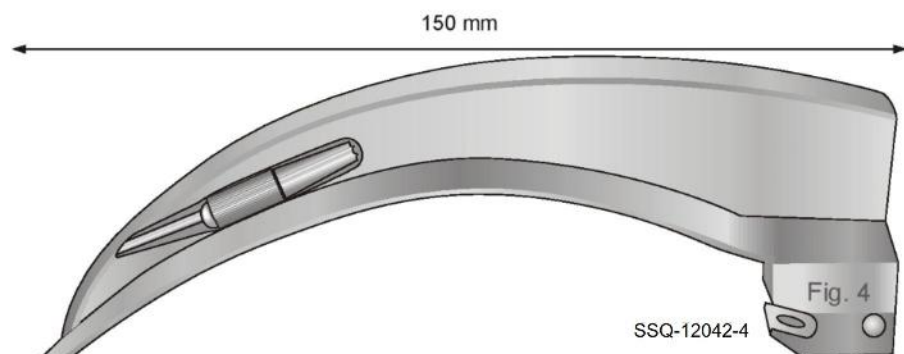
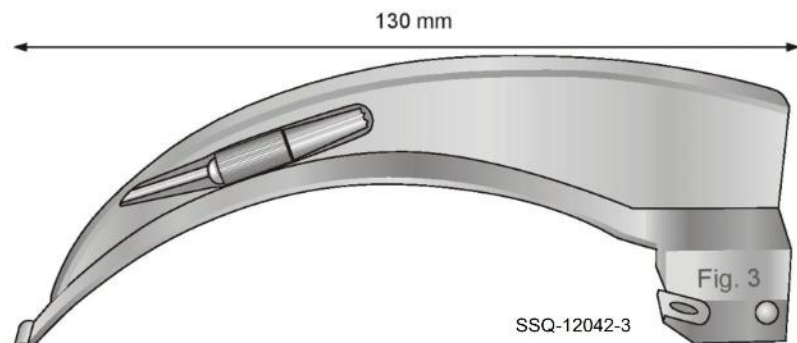
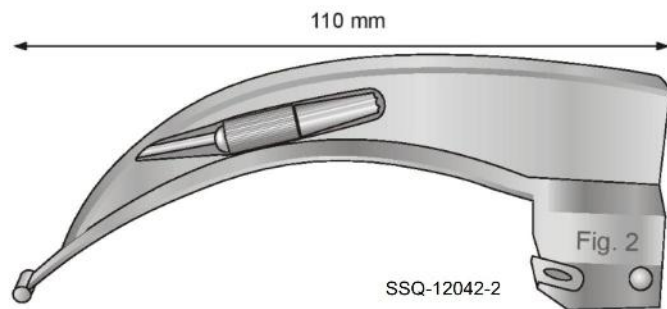
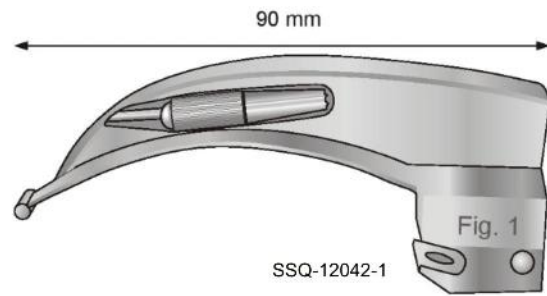
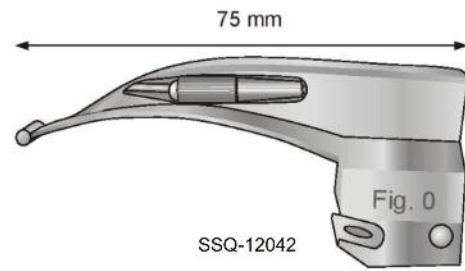
Per lama **AA-100**
For blades **AA-100**
Für Spatel **AA-100**
Pour spatules **AA-100**
Para hojas **AA-100**



AA-B101

2,5 Volt
300 mA

Per lame **AA-101 + AA-104**
For blades **AA-101 + AA-104**
Für Spatel **AA-101 + AA-104**
Pour spatules **AA-101 + AA-104**
Para hojas **AA-101 + AA-104**



Laringoscopio
MILLER



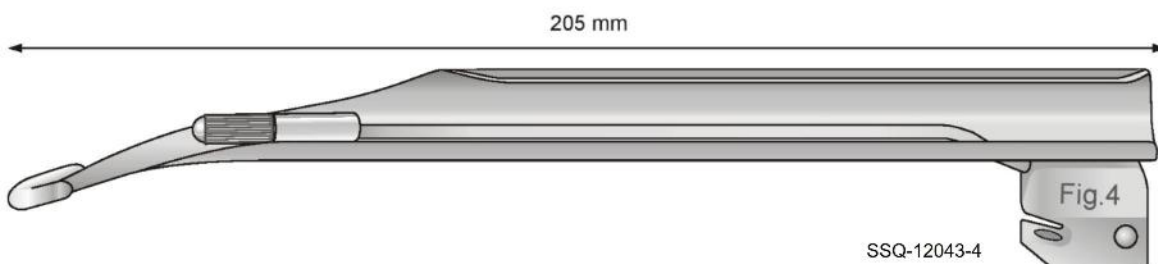
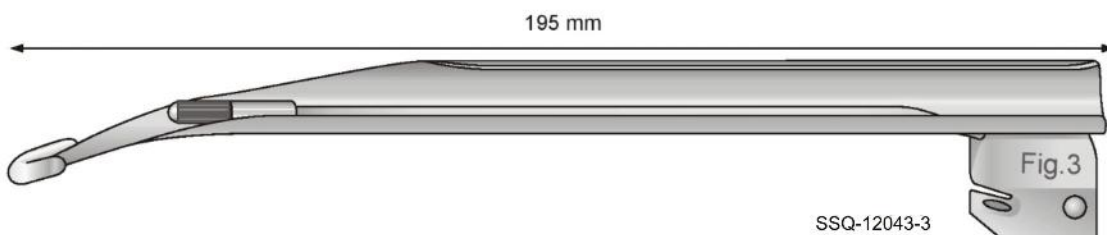
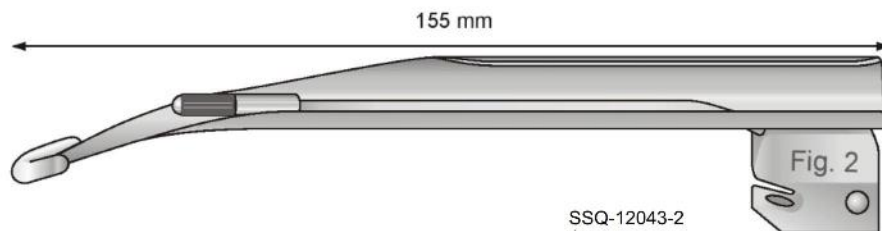
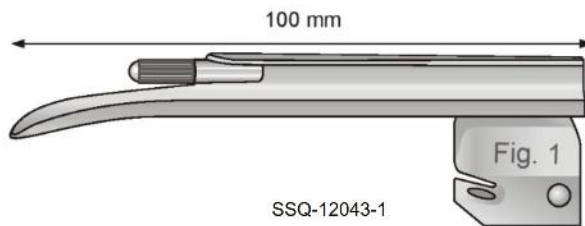
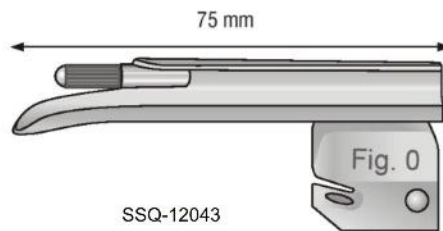
AA-B100
2,5 Volt
300 mA

Per lama **AA-200 + AA-203**
For blades **AA-200 + AA-203**
Für Spatel **AA-200 + AA-203**
Pour spatules **AA-200 + AA-203**
Para hojas **AA-200 + AA-203**



AA-B101
2,5 Volt
300 mA

Per lama **AA-204**
For blades **AA-204**
Für Spatel **AA-204**
Pour spatules **AA-204**
Para hojas **AA-204**



Laringoscopio
NEGUS - GUEDEL



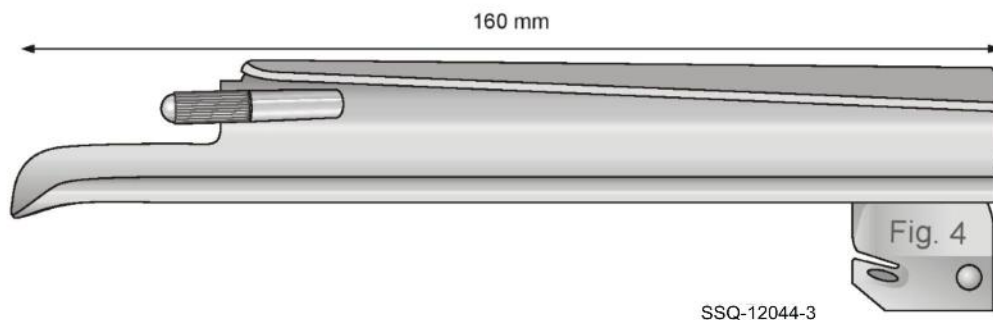
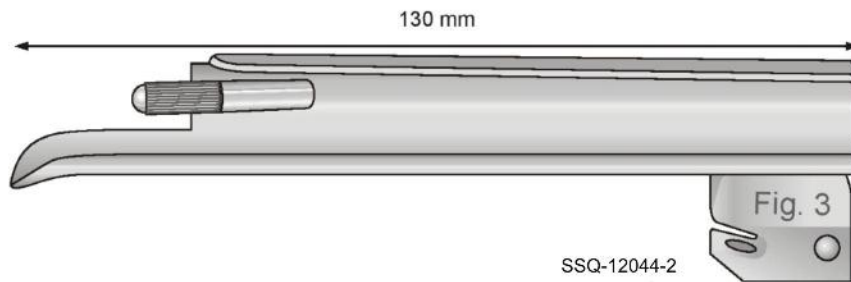
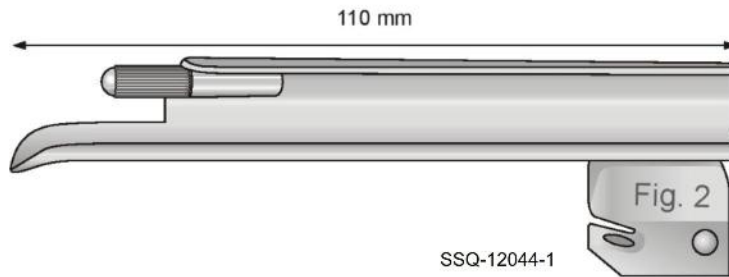
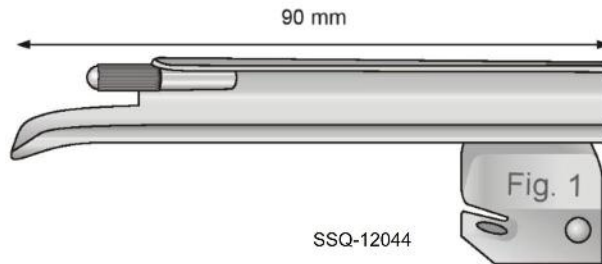
AA-B100
2,5 Volt
300 mA

Per lama **AA-401**
For blades **AA-401**
Für Spatel **AA-401**
Pour spatules **AA-401**
Para hojas **AA-401**



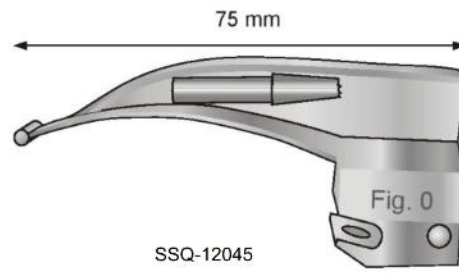
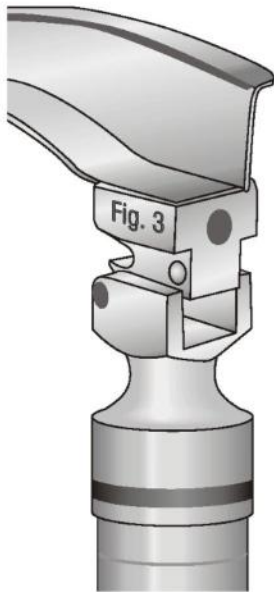
AA-B101
2,5 Volt
300 mA

Per lame **AA-402 + AA-404**
For blades **AA-402 + AA-404**
Für Spatel **AA-402 + AA-404**
Pour spatules **AA-402 + AA-404**
Para hojas **AA-402 + AA-404**

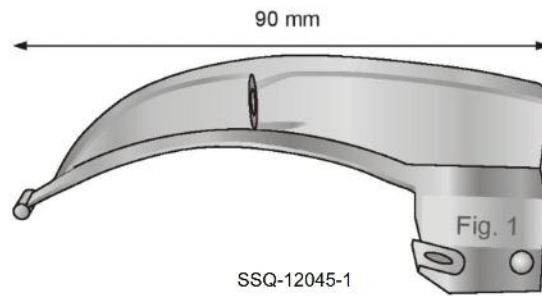


Laringoscopio
MC INTOSH

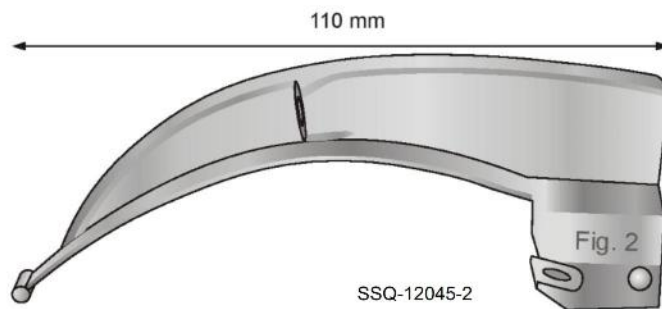
Fibre ottiche
Fiberoptic



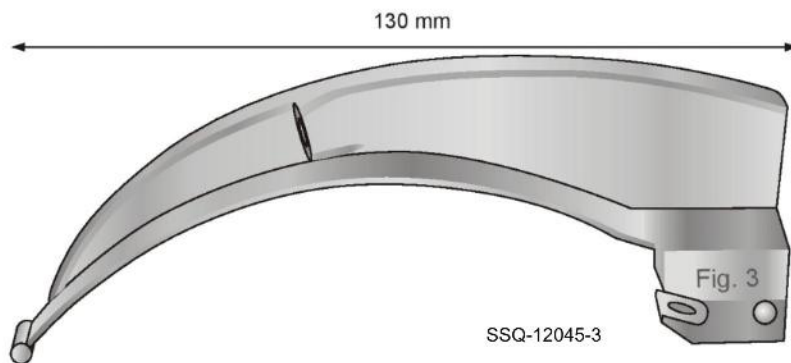
SSQ-12045



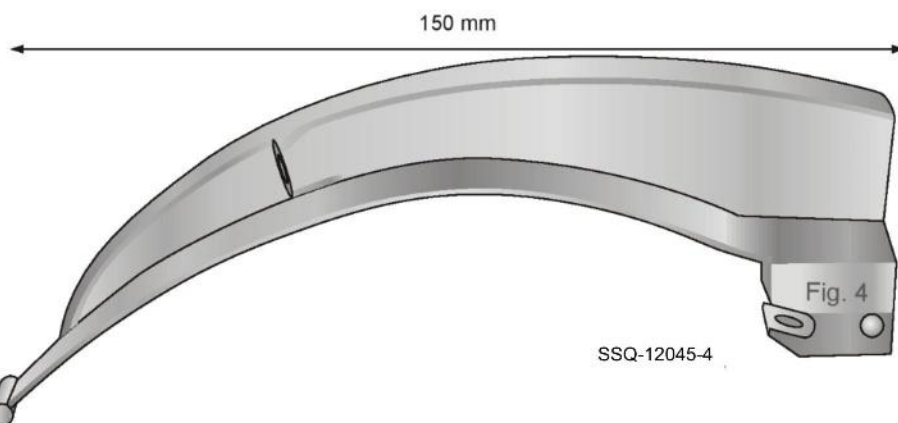
SSQ-12045-1



SSQ-12045-2



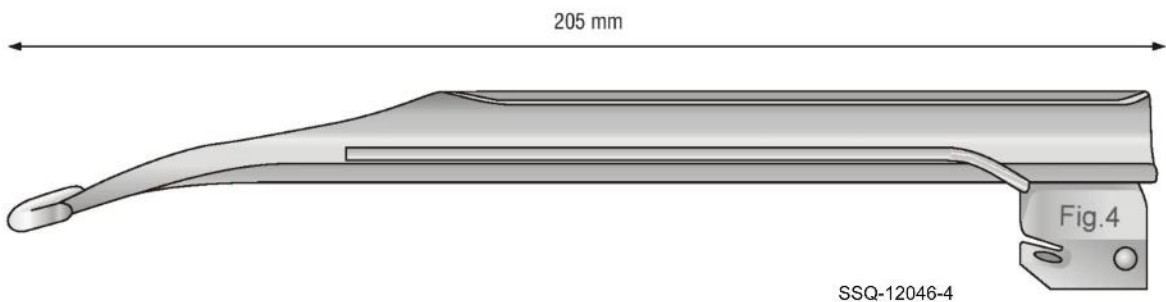
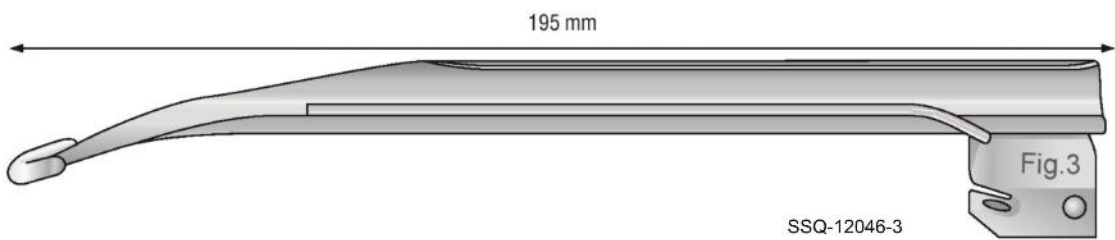
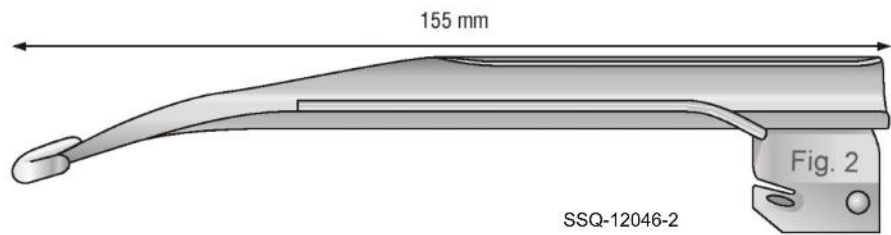
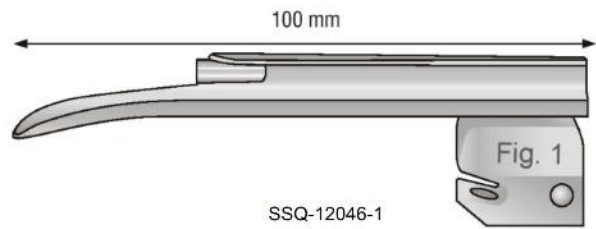
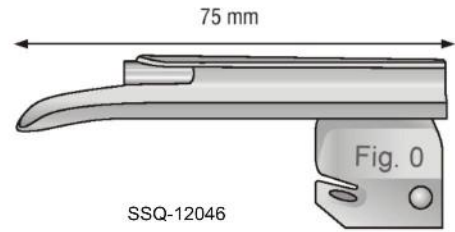
SSQ-12045-3

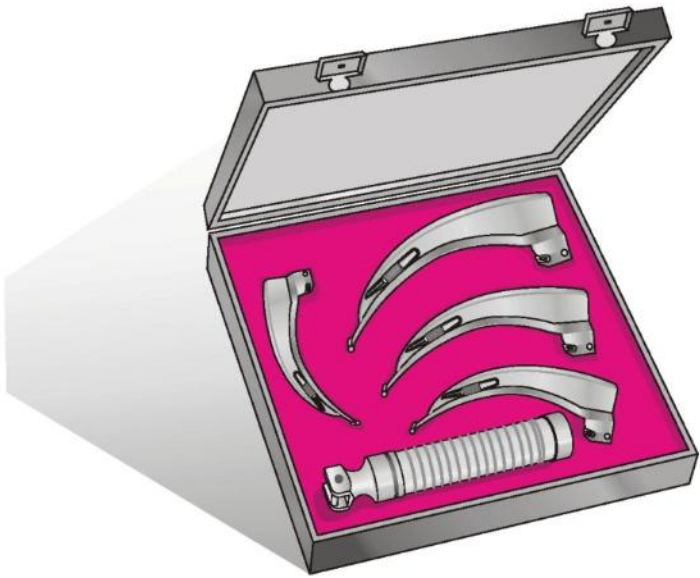


SSQ-12045-4

Laringoscopio
MILLER

Fibre ottiche
Fiberoptic

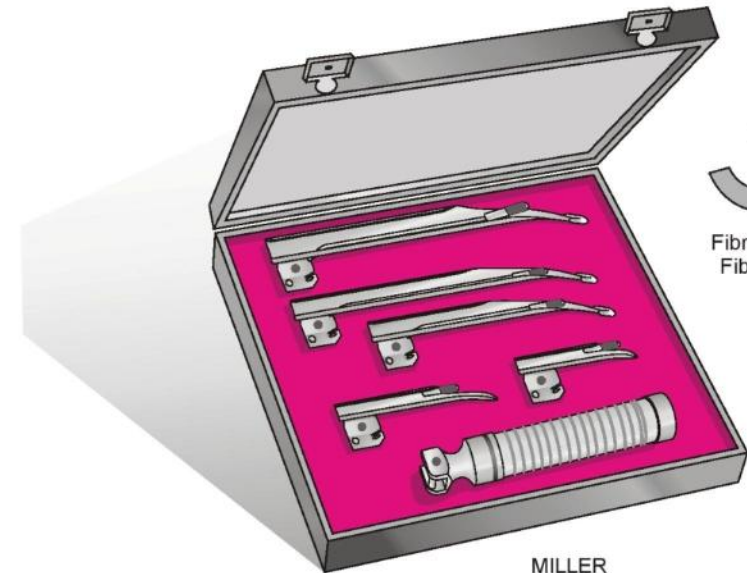




Mc INTOSH
SSQ-12047-1 - Set 3 lame
SSQ-12047-2 - Set 4 lame
SSQ-12047-3 - Set 5 lame

MILLER
SSQ-12048-1 - Set 3 lame
SSQ-12048-2 - Set 4 lame
SSQ-12048-3 - Set 5 lame

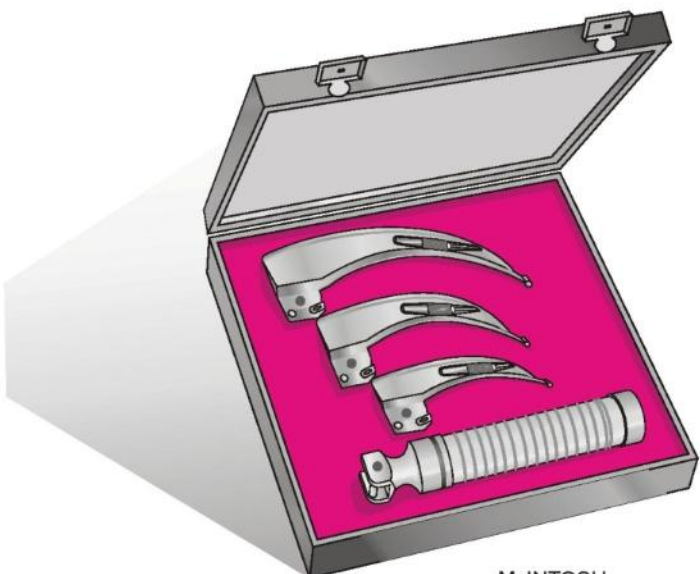
NEGUS-GUEDEL
SSQ-12049-1 - Set 3 lame
SSQ-12049-2 - Set 4 lame



Fibre ottiche
Fiber optic

MILLER
01-530

MILLER
Fibre ottiche
SSQ-12050-1 - Set 3 lame
SSQ-12050-2 - Set 4 lame
SSQ-12050-3 - Set 5 lame



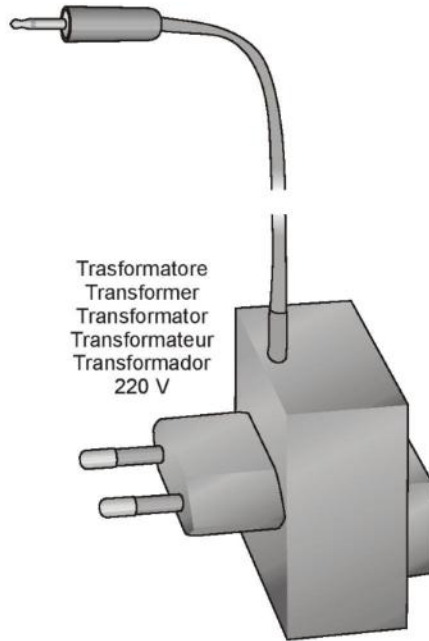
Fibre ottiche
Fiber optic

McINTOSH
01-540

Mc INTOSH
Fibre ottiche
SSQ-12051-1 - Set 3 lame
SSQ-12051-2 - Set 4 lame
SSQ-12051-3 - Set 5 lame

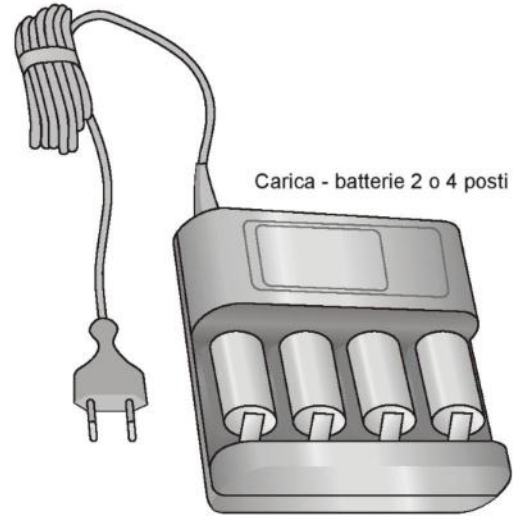


SSQ-12052-1
Ø 30 mm



Trasformatore
Transformer
Transformator
Transformateur
Transformador
220 V

SSQ-12053-1



Carica - batterie 2 o 4 posti

SSQ-12054-1



SSQ-12055-1
640 mA



SSQ-12055-2
2,5Volt
300 mA



SSQ-12055-3
2,5Volt
300 mA

Lampade alogene - Halogen lamp
Halogenlampe - Lampe halogène - Lämpara Houlógeno



SSQ-12056
Ø 30 mm

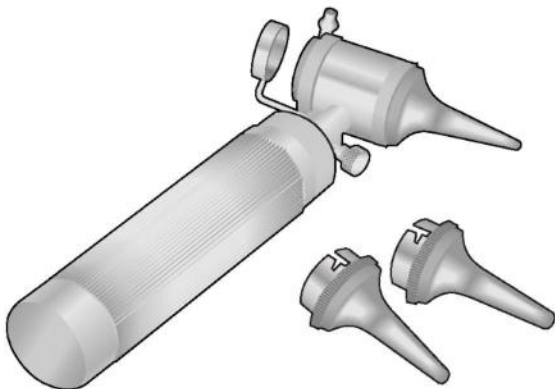


SSQ-12057
Ø 18 mm

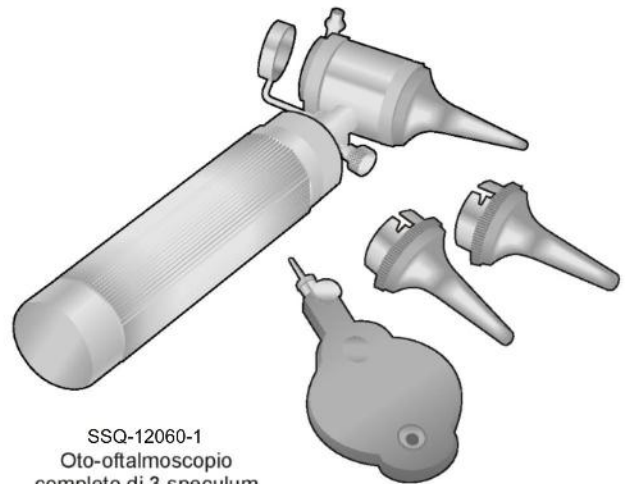
Fibre ottiche
Fiber optic



SSQ-12058
Ø 30 mm



SSQ-12059-1
Otoscopio
completo di 3 speculum
e scatola



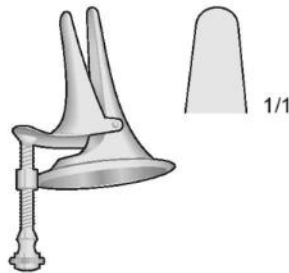
SSQ-12060-1
Oto-oftalmoscopio
completo di 3 speculum

Speculum in Nylon



- # 1 - Ø 3,0 mm
- # 2 - Ø 4,5 mm
- # 3 - Ø 5,5 mm

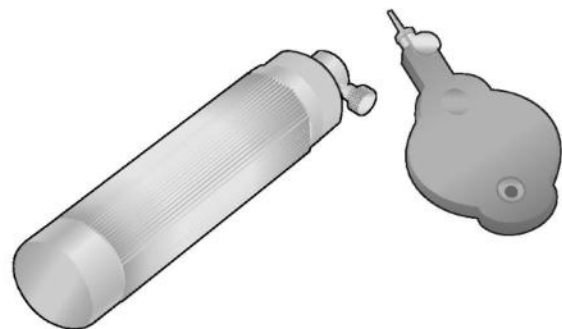
SSQ-12061-1
Serie 3 pezzi



DUPLAY
SSQ-12062-1

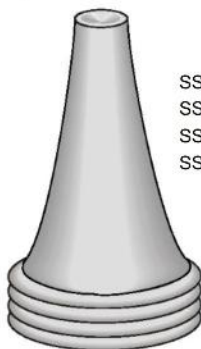


SSQ-12064-1
Lampadina per otoscopio
Lamp
Lampe



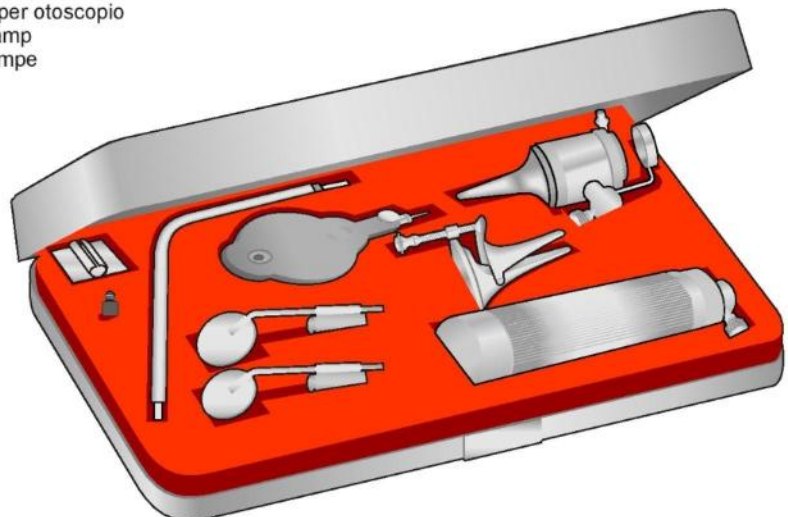
SSQ-12063-1
Oftalmoscopio

Speculum per adulti



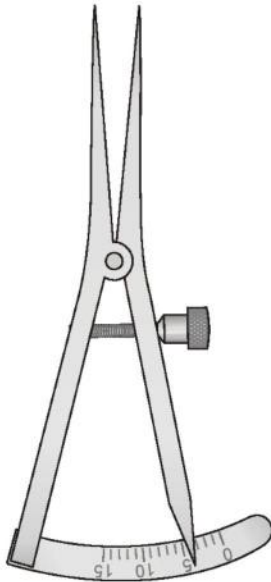
- SSQ-12065-1 - Ø 4,5 mm
- SSQ-12065-2 - Ø 5,5 mm
- SSQ-12065-3 - Ø 6,5 mm
- SSQ-12065-4 - Ø 7,5 mm

HARTMANN
SSQ-12065-1
Set 4 pezzi



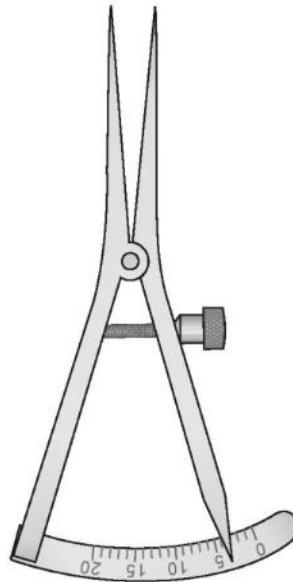
SSQ-12066-1
Set oto-oftalmoscopio-speculum nasale
e 2 specchietti laringei

Campo di misura: 0 - 15 mm
Measuring range: 0 - 15 mm
Meßbereich: 0 - 15 mm
Etendue de mesure: 0 - 15 mm
Alcance de medición: 0 - 15 mm



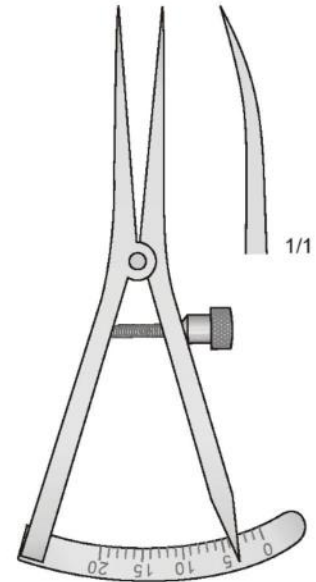
CASTROVIEJO
SSQ-12067-1
90 mm

Campo di misura: 0 - 20 mm
Measuring range: 0 - 20 mm
Meßbereich: 0 - 20 mm
Etendue de mesure: 0 - 20 mm
Alcance de medición: 0 - 20 mm



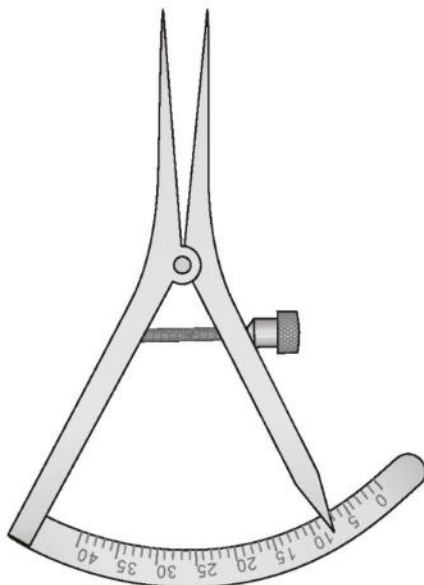
CASTROVIEJO
SSQ-12067-2
90 mm

Campo di misura: 0 - 20 mm
Measuring range: 0 - 20 mm
Meßbereich: 0 - 20 mm
Etendue de mesure: 0 - 20 mm
Alcance de medición: 0 - 20 mm



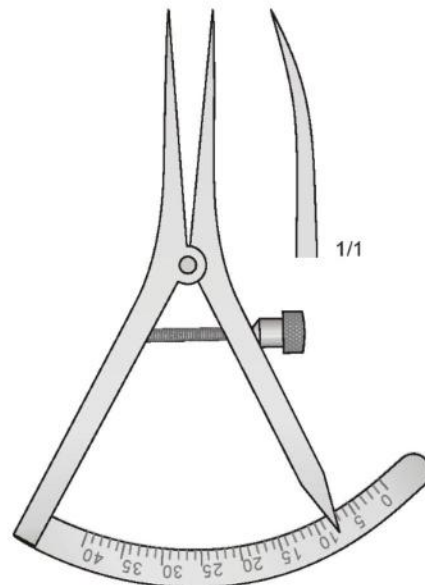
CASTROVIEJO
SSQ-12068-1
90 mm

Campo di misura: 0 - 40 mm
Measuring range: 0 - 40 mm
Meßbereich: 0 - 40 mm
Etendue de mesure: 0 - 40 mm
Alcance de medición: 0 - 40 mm



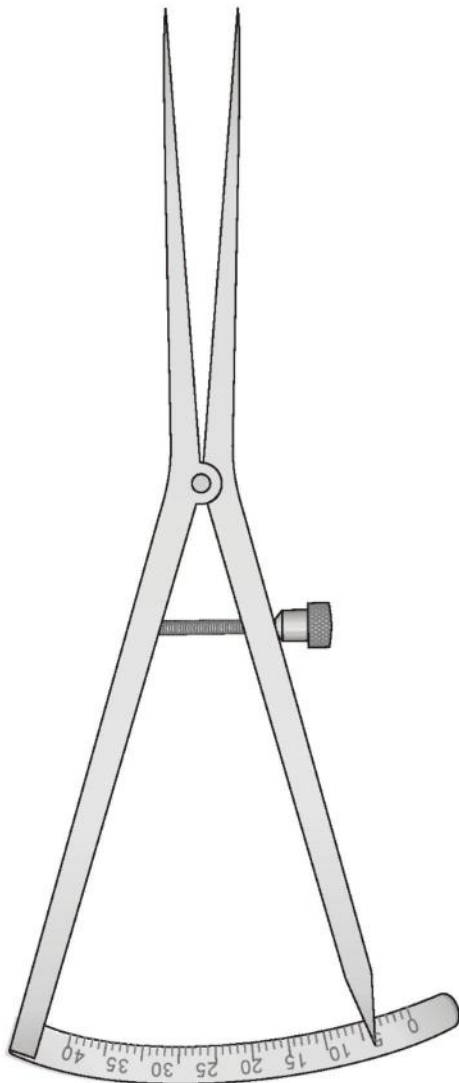
CASTROVIEJO
SSQ-12069-1
90 mm

Campo di misura: 0 - 40 mm
Measuring range: 0 - 40 mm
Meßbereich: 0 - 40 mm
Etendue de mesure: 0 - 40 mm
Alcance de medición: 0 - 40 mm



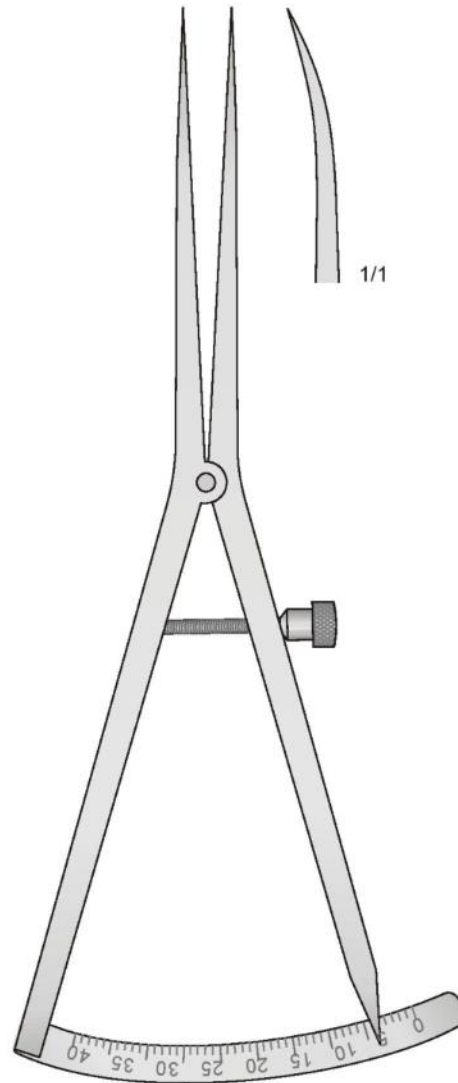
CASTROVIEJO
SSQ-12070-1
90 mm

Campo di misura: 0 - 40 mm
Measuring range: 0 - 40 mm
Meßbereich: 0 - 40 mm
Etendue de mesure: 0 - 40 mm
Alcance de medición: 0 - 40 mm



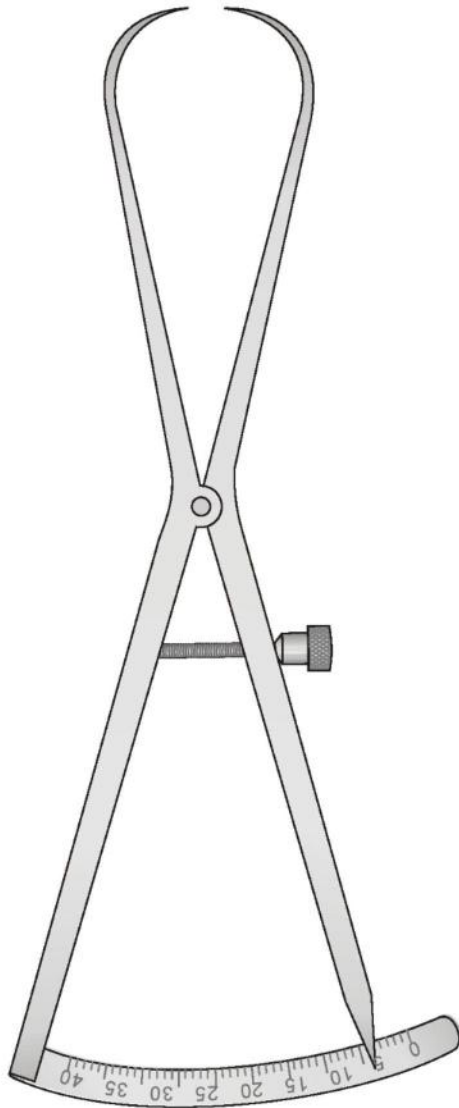
CASTROVIEJO
SSQ-12071-1
170 mm

Campo di misura: 0 - 40 mm
Measuring range: 0 - 40 mm
Meßbereich: 0 - 40 mm
Etendue de mesure: 0 - 40 mm
Alcance de medición: 0 - 40 mm



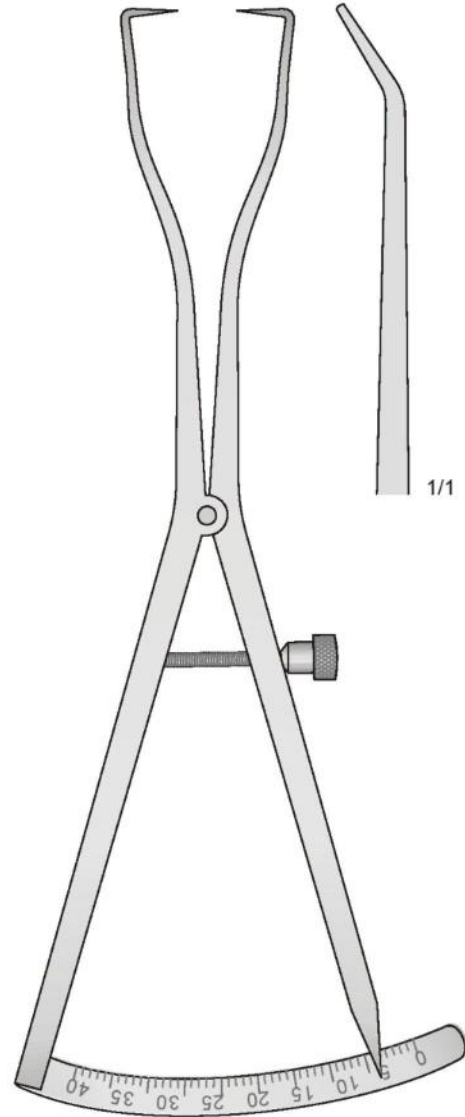
CASTROVIEJO
SSQ-12072-1
170 mm

Campo di misura: 0 - 40 mm
Measuring range: 0 - 40 mm
Meßbereich: 0 - 40 mm
Etendue de mesure: 0 - 40 mm
Alcance de medición: 0 - 40 mm



CASTROVIEJO
SSQ-12073-1
170 mm

Campo di misura: 0 - 40 mm
Measuring range: 0 - 40 mm
Meßbereich: 0 - 40 mm
Etendue de mesure: 0 - 40 mm
Alcance de medición: 0 - 40 mm



CASTROVIEJO
SSQ-12074-1
170 mm

Campo di misura: 0 - 80 mm
Measuring range: 0 - 80 mm
Meßbereich: 0 - 80 mm
Etendue de mesure: 0 - 80 mm
Alcance de medición: 0 - 80 mm

Campo di misura: 0 - 80 mm
Measuring range: 0 - 80 mm
Meßbereich: 0 - 80 mm
Etendue de mesure: 0 - 80 mm
Alcance de medición: 0 - 80 mm



SSQ-12075
125 mm

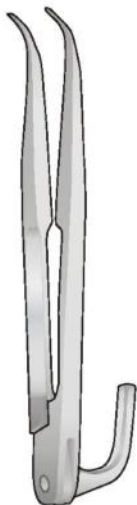


SSQ-12076
120 mm

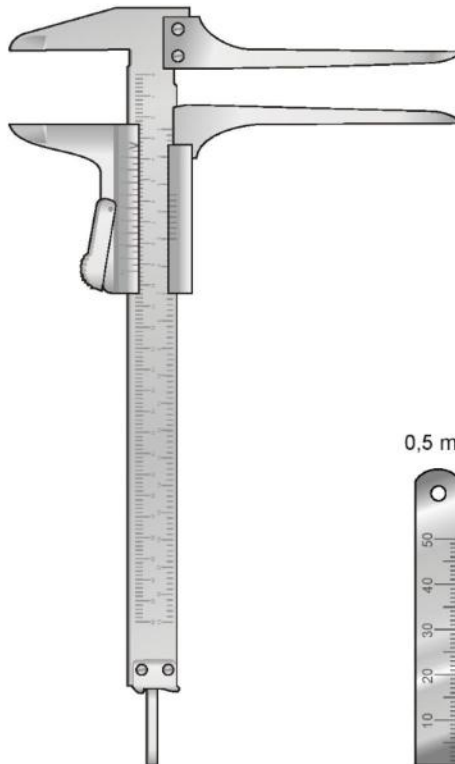
0,5 mm



Campo di misura: 180 mm - Measuring range: 180 mm
Meßbereich: 180 mm - Etendue de mesure: 180 mm - Alcance de medición: 180 mm



ZIELINSKY
SSQ-12077
110 mm



CASPAR
SSQ-12078

0,5 mm



SSQ-12079
50 mm

0,5 mm



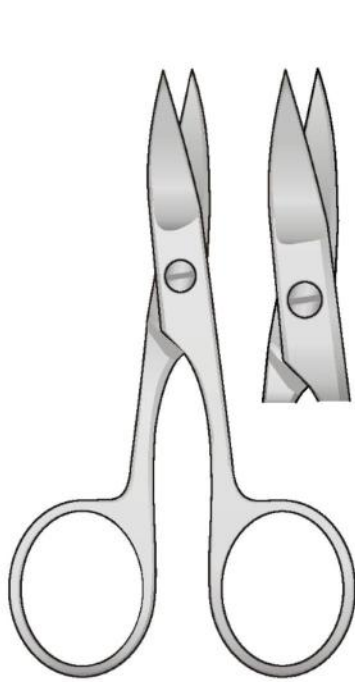
SSQ-12079-1
120 mm

0,5 mm

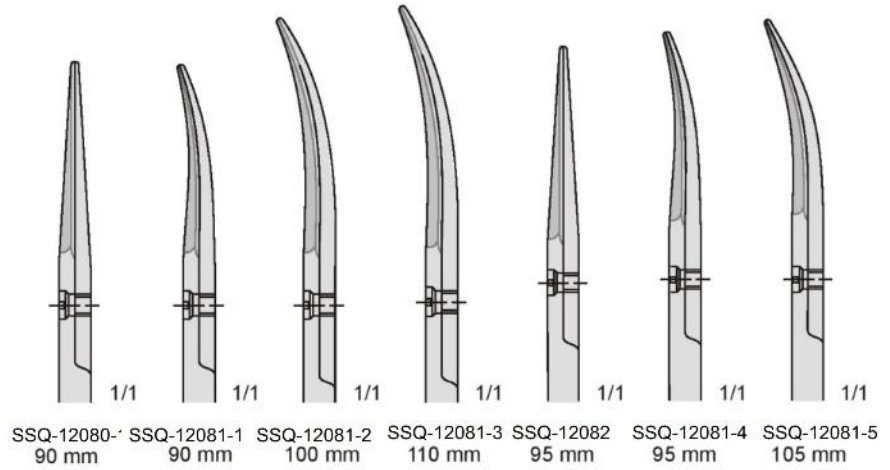


SSQ-12079-2
150 mm

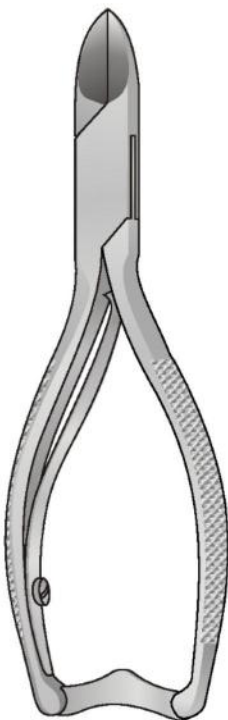
SSQ-12079-3
300 mm



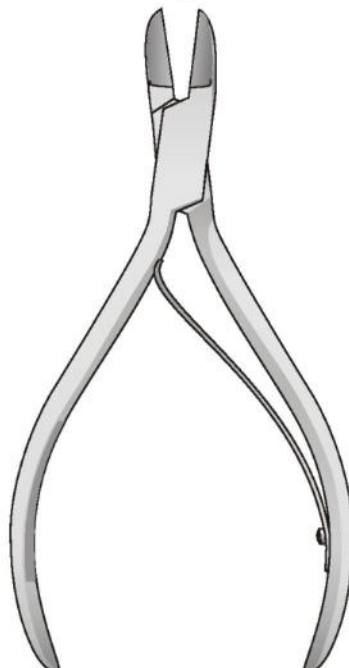
SSQ-12080



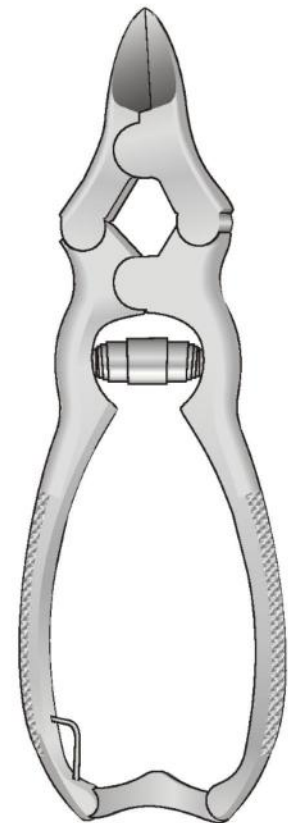
Tronchesi per unghie
Nail cutters
Nagelzangen
Pince à ongles
Pinzas para uña



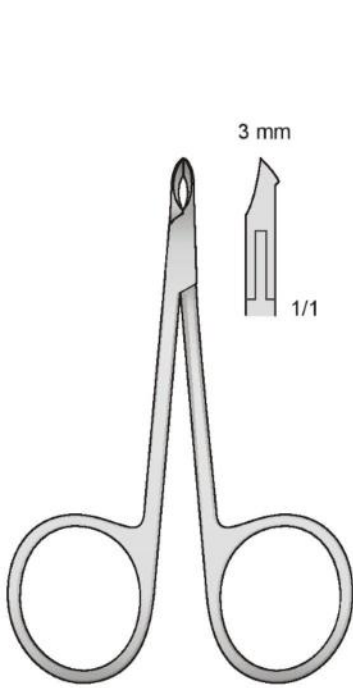
SSQ-12083
135 mm



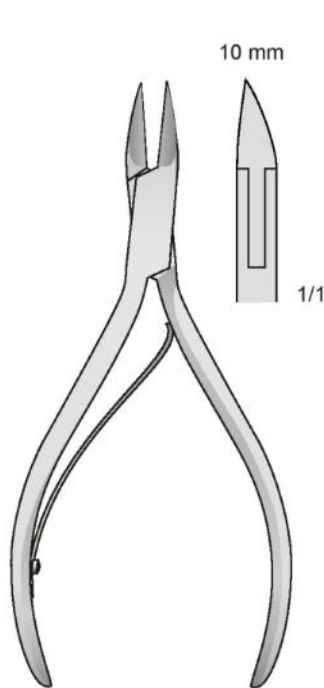
SSQ-12084
120 mm



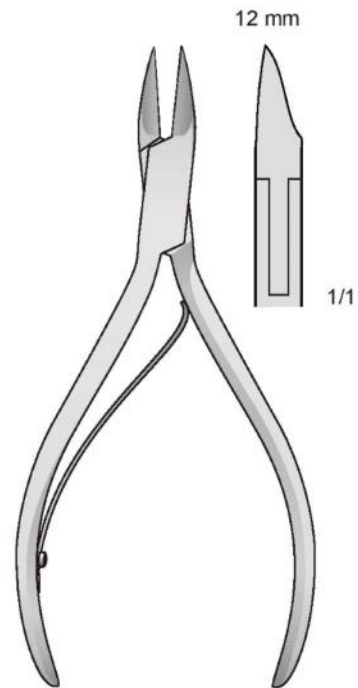
SSQ-12085
155 mm



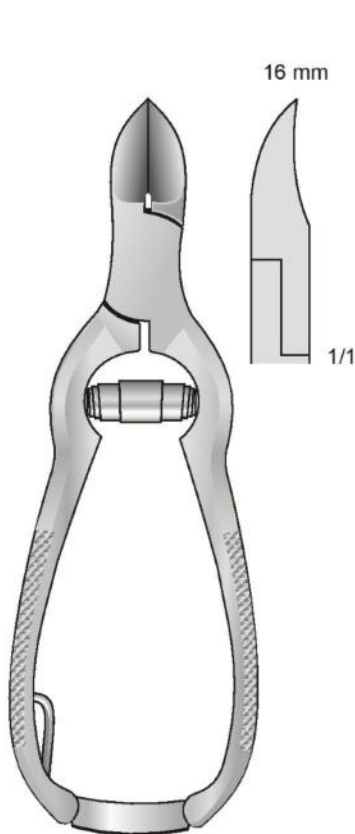
SSQ-12086
85 mm



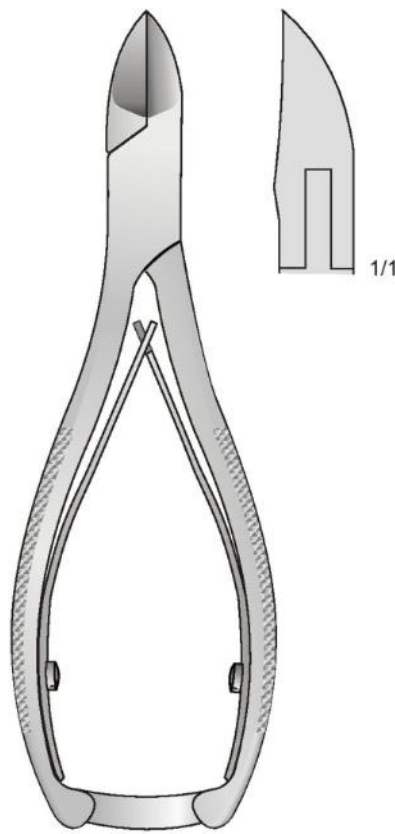
SSQ-12087-1
100 mm



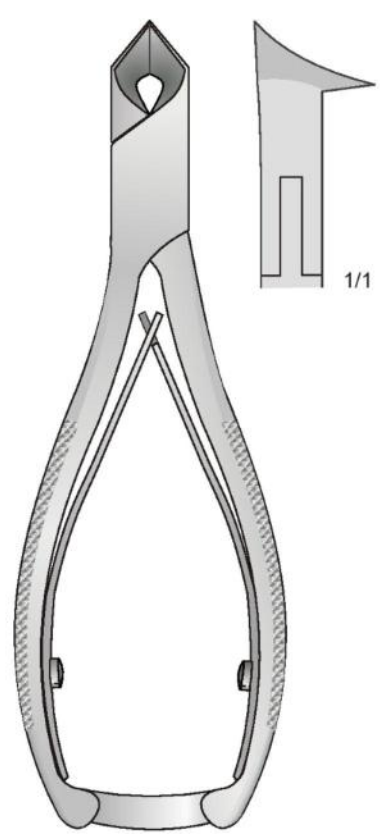
SSQ-12087-2
110 mm



SSQ-12088
120 mm



SSQ-12089
140 mm



SSQ-12090
135 mm



Manufacturer & Exporter Of Surgical Instruments.

☎ +92-52-3532361
☎ +92 (302) 775 4954 | +92 (301) 618 3770
✉ ssqintl1@gmail.com | info@ssqintl.com
📍 Kotli Loharan West, Near Chella, Sialkot - Pakistan



www.ssqintl.com