



INTERNATIONAL

LET'S SHARE ABOUT SURGERY



Maintenance & Sterilization

**Surgical
Instruments
Catalogue**



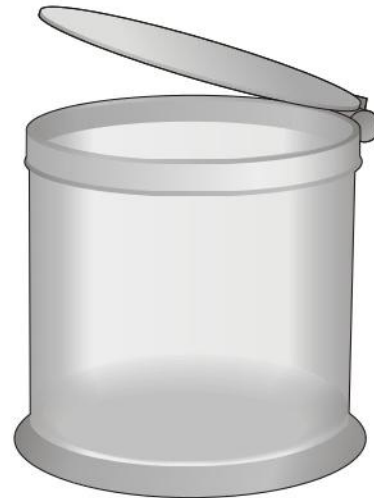
www.ssqintl.com

Scatola per sterilizzazione aghi da sutura - Box for needles
Sterilbehälter für Nadeln - Boite pour aiguilles de suture
Estuche para agujas

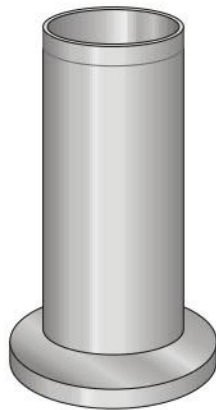


SSQ-7801
Ø 78 mm h 15 mm

Vaso in vetro con coperchio in acciaio inox
Jarin glass with lid in stainless steel
Pot en verre avec couvercle en acier inox



SSQ-7802-1 Ø 100x100 mm
SSQ-7802-2 Ø 120x120 mm



SSQ-7803-1 Ø 50 mm h 100 mm
SSQ-7803-2 Ø 50 mm h 150 mm
SSQ-7803-3 Ø 80 mm h 180 mm

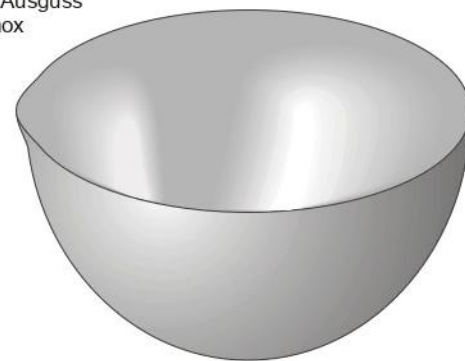


SSQ-7804-1 Ø 100x100 mm
SSQ-7804-2 Ø 120x120 mm

Capsule inox con fondo piano e becco
Lotion bowis capsules
Runder Sterilbehälter mit Ausguss
Capsule en acier inox



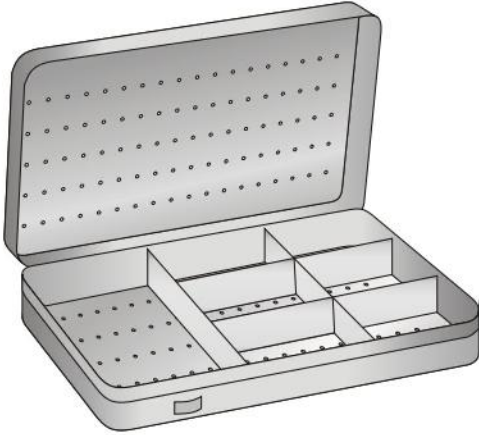
SSQ-7805-1 Ø 40 mm 15 cc
SSQ-7805-2 Ø 60 mm 75 cc
SSQ-7805-3 Ø 80 mm 225 cc
SSQ-7805-4 Ø 100 mm 325 cc
SSQ-7805-5 Ø 120 mm 500 cc
SSQ-7805-6 Ø 150 mm 600 cc



SSQ-7806-1 Ø 180 mm 1000 cc
SSQ-7806-2 Ø 200 mm 1450 cc
SSQ-7806-3 Ø 220 mm 2000 cc
SSQ-7806-4 Ø 240 mm 3300 cc

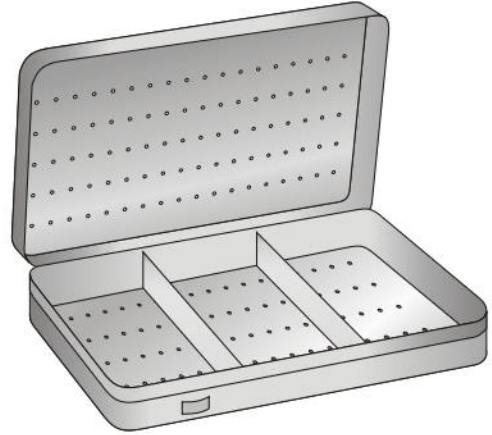
Inox - Stainless steel - Rostfrei
Inoxidable

Bacinella a 7 scomparti



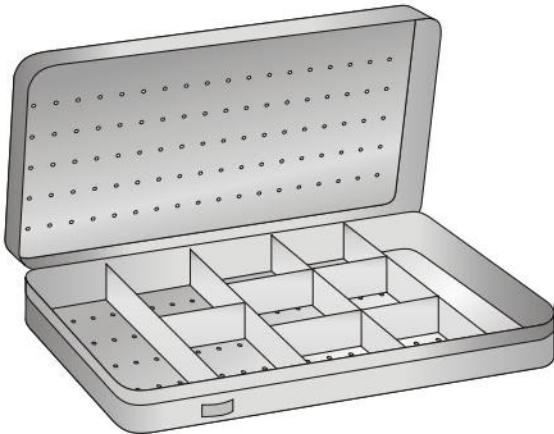
SSQ-7807
150 x 90 x 20 mm

Bacinella a 3 scomparti

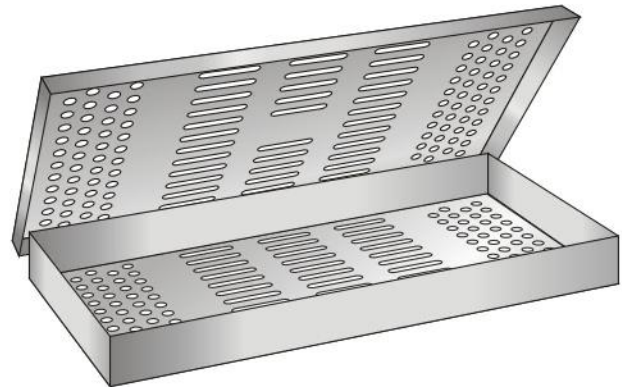


SSQ-7808
150 x 90 x 20 mm

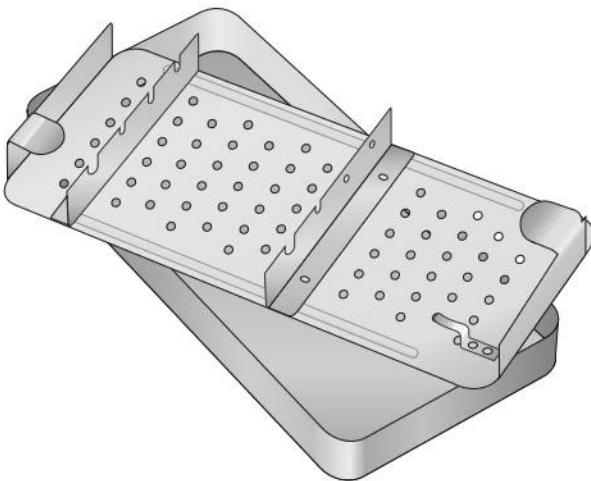
Bacinella a 10 scomparti



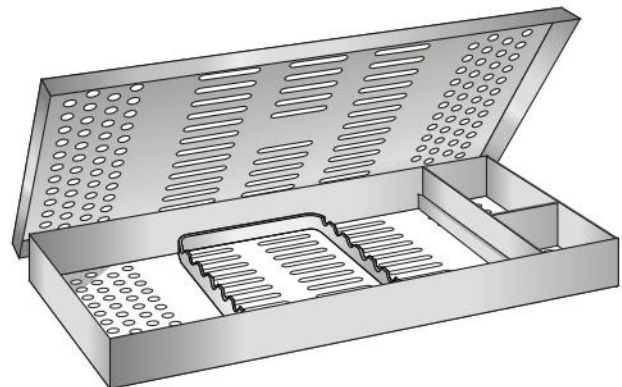
SSQ-7809
220 x 120 x 20 mm



SSQ-7810
275 x 130 x 25 mm



SSQ-7811
180 x 90 x 35 mm 2 ripiani



SSQ-7812-1 275 x 130 x 25 mm Con griglia e scomparti
SSQ-7812-2 285 x 190 x 25 mm Con griglia e scomparti

Bacinelle reniformi
Kidney bowls
Nierenschalen
Bassins réniformes
Rifioneras



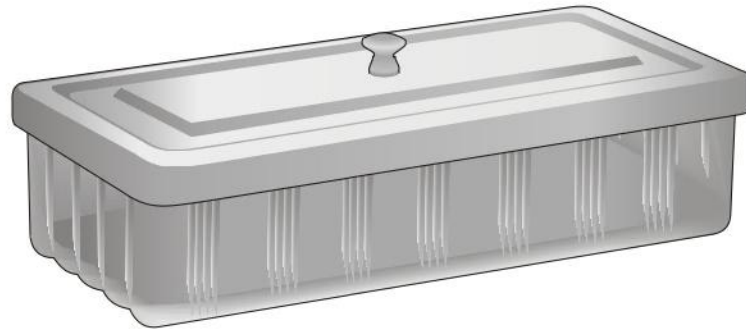
SSQ-7813-1 200 mm
SSQ-7813-2 250 mm
SSQ-7813-3 280 mm

Vassoi porta-strumenti
Trays
Schalen
Bassins
Bandejas



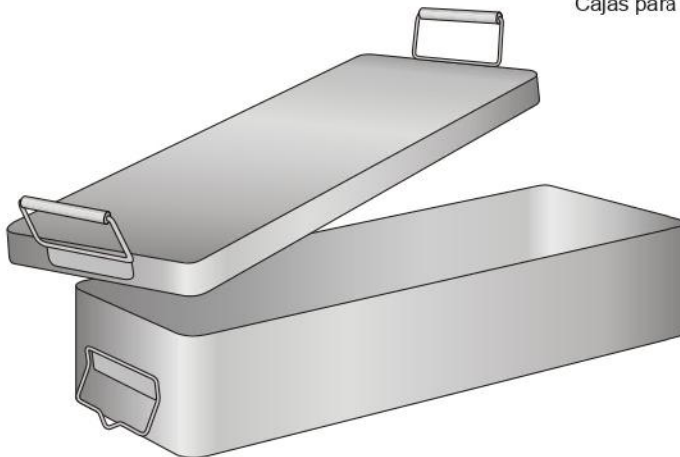
SSQ-7814-1 210x150x25 mm
SSQ-7814-2 250x180x30 mm
SSQ-7814-3 300x220x30 mm

Bacinella in vetro con coperchio e pomolo in acciaio inox
Container in glass with lid and knob in stainless steel
Cuvette en verre avec couvercle et pommeau en acier inox

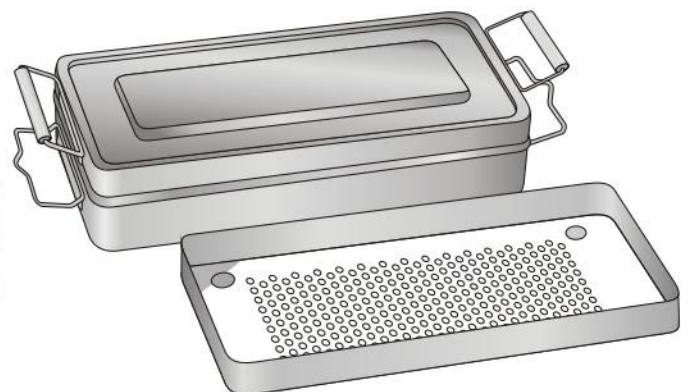


SSQ-7815-1 140x80x50 mm
SSQ-7815-2 200x60x40 mm
SSQ-7815-3 220x100x50 mm
SSQ-7815-3 220x140x60 mm
SSQ-7815-3 300x180x65 mm

Scatole per sterilizzazione a secco
Instrument boxes
Instrumentenkästen
Boites pour instruments
Cajas para instrumentos

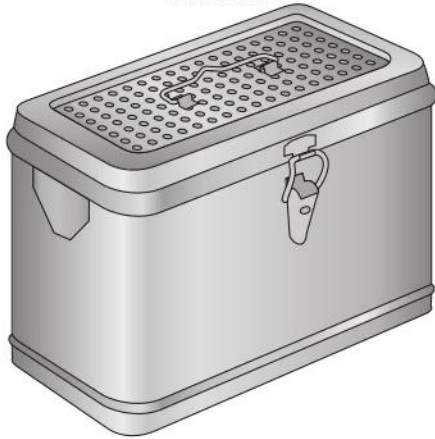


SSQ-7816-1 280 x 140 x 60 mm
SSQ-7816-2 300 x 140 x 60 mm
SSQ-7816-3 360 x 160 x 70 mm



SSQ-7817-1 150 x 90 x 40 mm
SSQ-7817-2 200 x 100 x 60 mm
SSQ-7817-3 250 x 120 x 60 mm
SSQ-7817-4 280 x 140 x 60 mm
SSQ-7817-5 320 x 150 x 60 mm

Cestelli rettangolari con filtro
Mit filter
Whith filter
Avec filtre
Con filtros



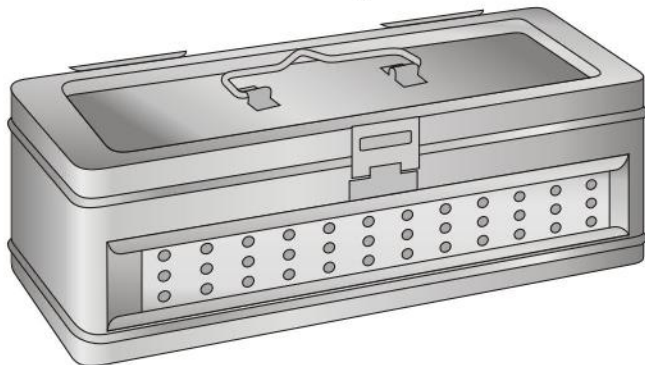
SSQ-7818-1 200 x 180 x 120 mm
SSQ-7818-2 200 x 180 x 180 mm
SSQ-7818-3 250 x 250 x 250 mm
SSQ-7818-4 270 x 160 x 160 mm
SSQ-7818-5 290 x 290 x 290 mm
SSQ-7818-6 350 x 230 x 200 mm

Cestelli cilindrici
Dressing sterilizing drums
Verbandstoffrommeln
Boites à stérilisation
Cajas para esterilizacion



SSQ-7819-1 125x125 mm
SSQ-7819-2 150x150 mm
SSQ-7819-3 190x145 mm
SSQ-7819-4 290x240 mm

Cestelli rettangolari
Rectengular drum
Panier rectangulaire



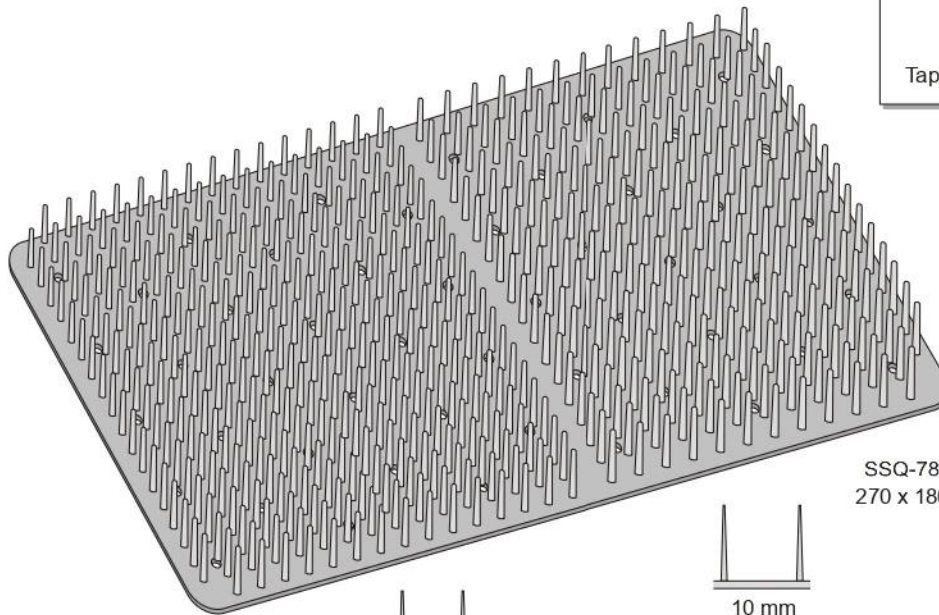
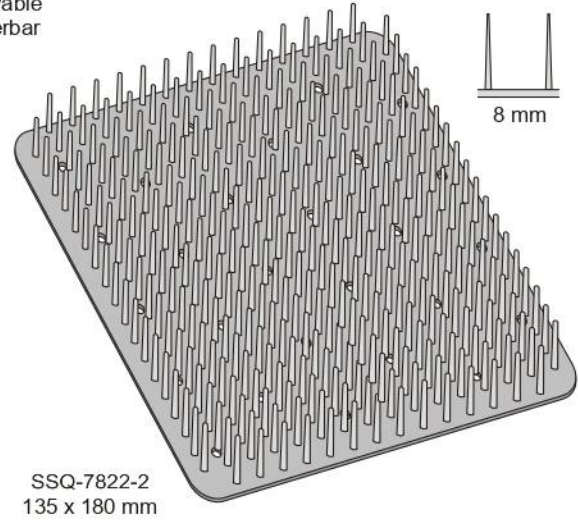
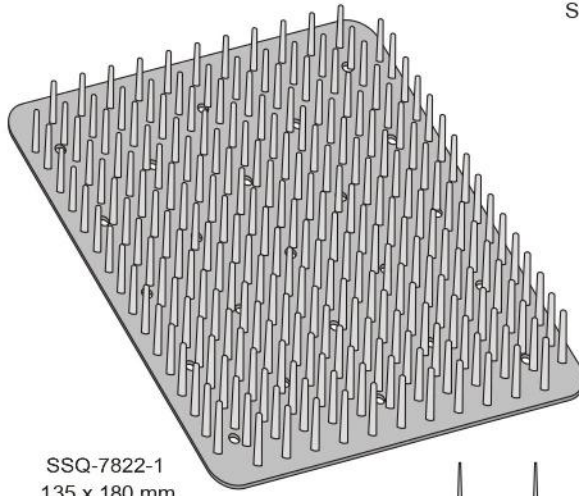
SSQ-7820-1 300 x 150 x 60 mm
SSQ-7820-2 300 x 150 x 90 mm
SSQ-7820-3 300 x 150 x 180 mm

Cestelli rettangolari
Rectengular drum
Panier rectangulaire

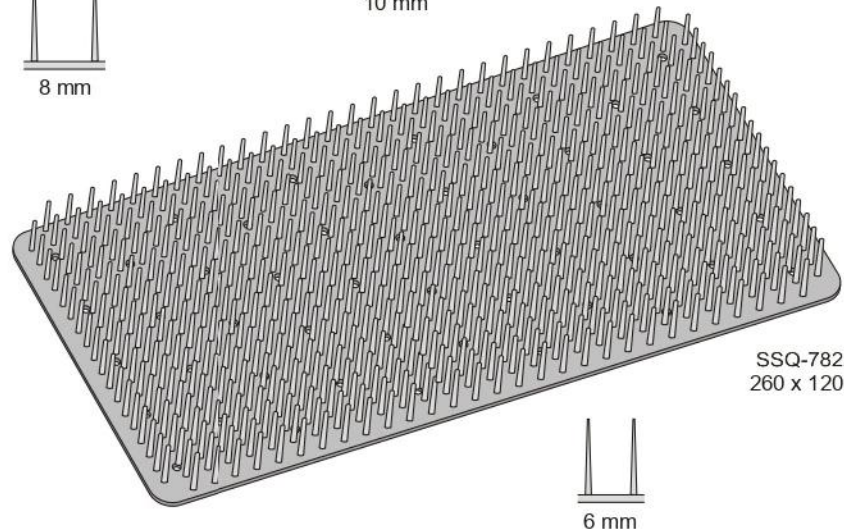


SSQ-7821-1 190x110x120 mm
SSQ-7821-2 200x180x120 mm
SSQ-7821-3 200x180x180 mm
SSQ-7821-4 250x200x200 mm

Autoclavabili
Autoclavable
Sterilisierbar



Tappeti in aghi di silicone
Silikon matte
Matte en silicone
Tapis en Silicone
Tapete en agujas de silicona



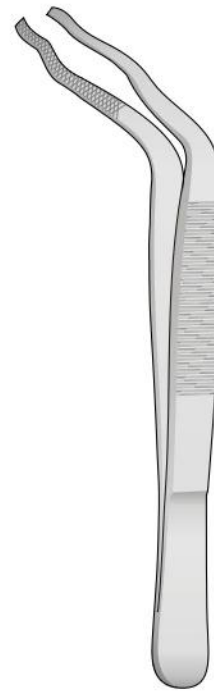
Pinze per prelevare strumenti sterilizzati
Pinzette zum Entnehmen Sterilisierten Instrumente



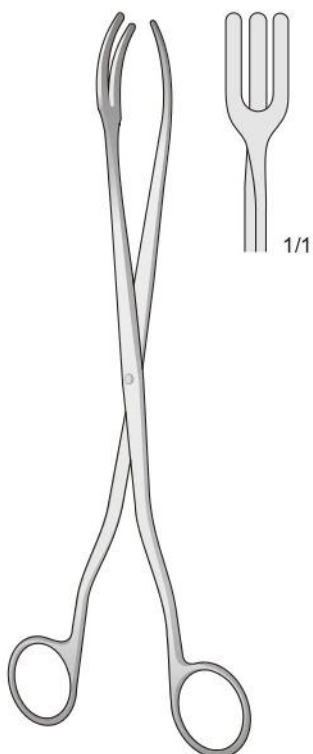
SSQ-7823
145 mm



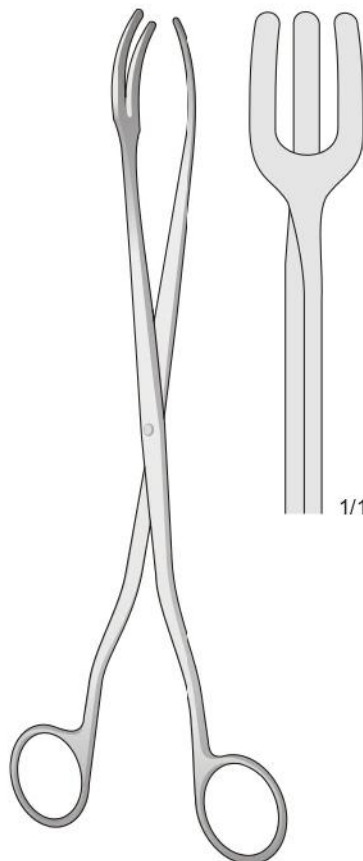
DAVIS
SSQ-7824
160 mm



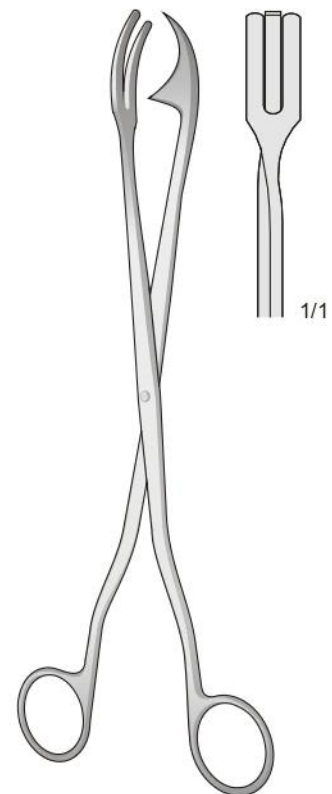
DAVIS
SSQ-7825
200 mm



SSQ-7826
200 mm



SSQ-7827
300 mm



ROGGE
SSQ-7828
230 mm



Manufacturer & Exporter Of Surgical Instruments.

- ☎ +92-52-3532361
- ☎ +92 (302) 775 4954 | +92 (301) 618 3770
- ✉ ssqintl1@gmail.com | info@ssqintl.com
- 📍 Kotli Loharan West, Near Chella, Sialkot - Pakistan



www.ssqintl.com